

CyberKey Web Authorizer Hub 2 (230V)

Part Number: AHG2R-W2

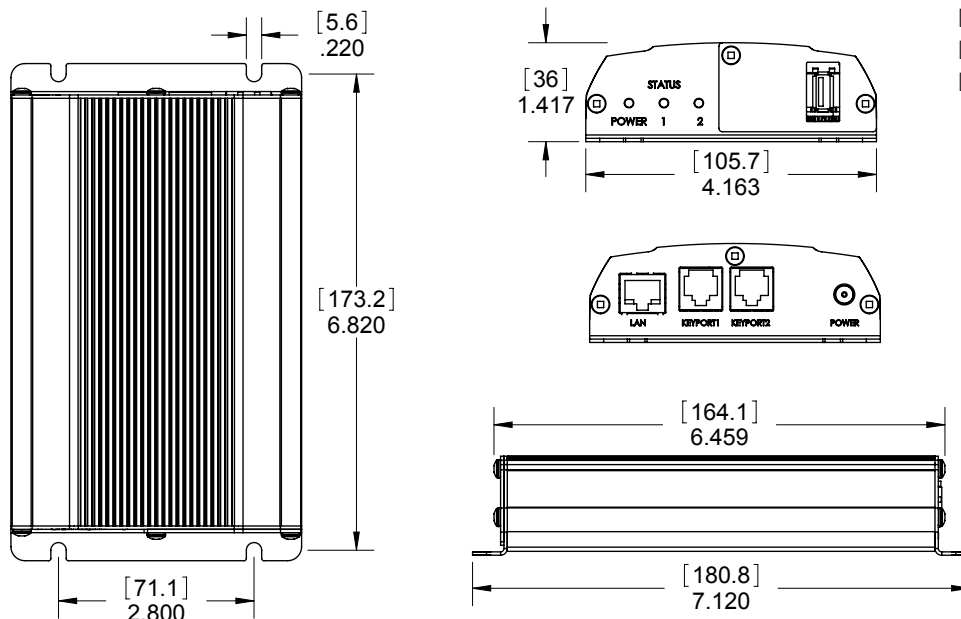
CAW	Version 9.2 (or newer)
Enterprise	<input checked="" type="checkbox"/>
Basic	<input checked="" type="checkbox"/>



The CyberKey Web Authorizer Hub 2 is the 2nd generation Authorizer Hub. It has all the features of the original Authorizer Hub and also includes significant increases in speed and memory, compatibility with Generation 2 CyberKeys, and enhanced network encryption.

Specifications

Physical	Black powder-coated extruded aluminum
Operating Temperatures	32° to 122° F (0° to 50° C), indoor installation
Dimensions	1.42" H x 4.16" W x 7.12" L (36 mm x 105.7 mm x 180.8 mm)
Weight	14.1 oz (400 g)
Power	12VDC, 1A; 230V, 50Hz transformer
Visual Outputs	Power and 2 Status LED, Ethernet
Memory	4 GB
Connection	RJ-45 for 100baseT Ethernet; 2 RJ-45 keyports; keyports connect to hub using CAT 5 patch cable, 2 USB for flash drives used to configure the Web Authorizer 2
Compatible Keys	Current Gen 1 and all Gen 2 keys
Network Encryption	TLS1.2 or better
RoHS	Compliant



Notes:
Dimensions in inches (mm)
Drawing not to scale