

# CyberKey Web Authorizer Hub 2 (120V)

Part Number: AHG2R-W1

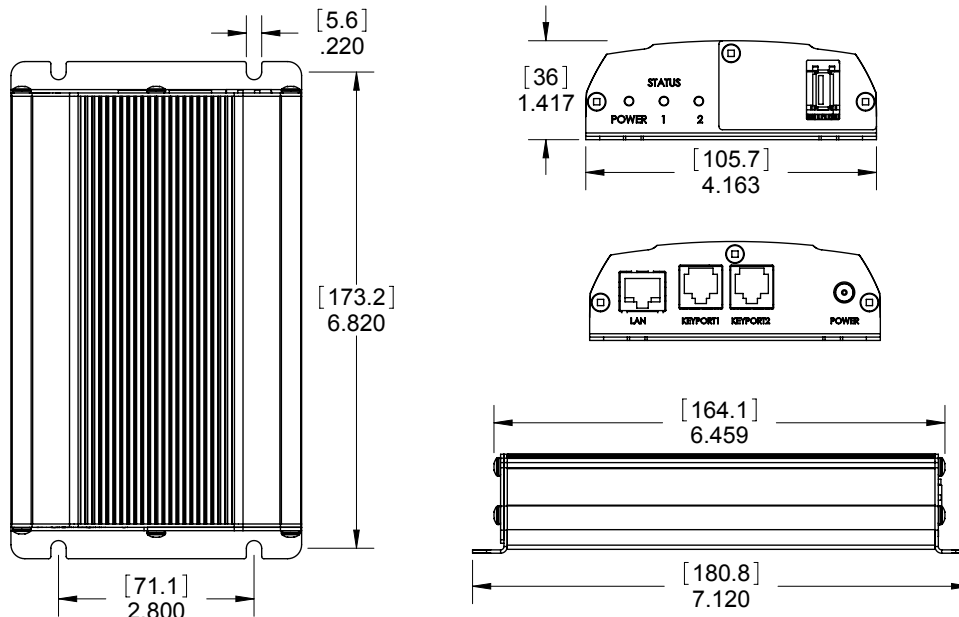
<b>CAW</b>	Version 9.2 (or newer)
Enterprise	<input checked="" type="checkbox"/>
Basic	<input checked="" type="checkbox"/>



The CyberKey Web Authorizer Hub 2 is the 2nd generation Authorizer Hub. It has all the features of the original Authorizer Hub and also includes significant increases in speed and memory, compatibility with Generation 2 CyberKeys, and enhanced network encryption.

### Specifications

<b>Physical</b>	Black powder-coated extruded aluminum
<b>Operating Temperatures</b>	32° to 122° F (0° to 50° C), indoor installation
<b>Dimensions</b>	1.42" H x 4.16" W x 7.12" L (36 mm x 105.7 mm x 180.8 mm)
<b>Weight</b>	14.1 oz (400 g)
<b>Power</b>	12VDC, 1A; 120V, 60Hz transformer
<b>Visual Outputs</b>	Power and 2 Status LED, Ethernet
<b>Memory</b>	4 GB
<b>Connection</b>	RJ-45 for 100baseT Ethernet; 2 RJ-45 keyports; keyports connect to hub using CAT 5 patch cable, 2 USB for flash drives used to configure the Web Authorizer 2
<b>Compatible Keys</b>	Current Gen 1 and all Gen 2 keys
<b>Network Encryption</b>	TLS1.2 or better
<b>RoHS</b>	Compliant



Notes:  
Dimensions in inches (mm)  
Drawing not to scale