

Traffic Cabinet Lock

CyberLock electronic cylinders are the most cost-effective way to increase accountability, eliminate tampering, and provide 24/7 security to the critical equipment contained within Intelligent Traffic System (ITS) cabinets.

CL2-TC2L | CL2-TC2R



Key Control

Eliminate the commonly used, uncontrolled #2 mechanical key with CyberLock's powerful, wireless access control system.



Increase Physical Security

Unlike mechanical locks, CyberLock cylinders have a unique, sealed design that negates standard picking techniques. Once installed, cylinders resist forced rotation and are designed to remain in a locked state if tampered with.



Simple Installation

CyberLock traffic cabinet locks retrofit into existing hardware in minutes, without power or network cables.



- When a key is lost, stolen, or misplaced, CyberLock cylinders can be programmed to deny access to the key using CyberAudit-Web software.
- Manage access for contractors, employees, and other personnel by downloading specific access permissions for each lock and key.



CyberLock is a key-centric access control system designed to increase security, accountability, and key control. Based on a unique design of electronic lock cylinders and programmable smart keys, CyberLock solves security problems that no other system can.

Traffic control administrators can quickly schedule and review access with the powerful CyberAudit-Web software. Permissions for each lock and key can be changed effortlessly, enabling precise control over access to every entry point. Email alerts and audit reports keep management informed of each person's activities, including denied access attempts.

Traffic Cabinet Lock

Part Number: CL-TC2L, CL-TC2R; CL2-TC2L, CL2-TC2R

Gen 1 Mode

CAW	Version 9.0 or newer
Enterprise	☑
Basic	☑

Gen 2 Mode

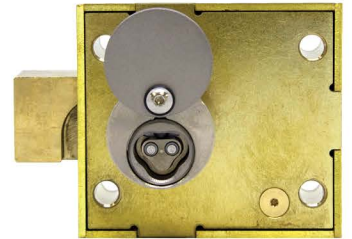
CAW	Version 9.4 or newer
Enterprise	☑
Basic	☑

CyberLock's Generation 2 electronic locks offer AES-256 encryption. In addition, Gen 2 CyberLock cylinders feature a significantly larger audit capacity and lost key list, when compared to Gen 1 cylinders. To ensure compatibility with existing systems, all Generation 2 cylinders are shipped from the factory in Gen 1 mode. Gen 2 mode features can be enabled at any time using a CLP-200 (CyberLock Programmer II).

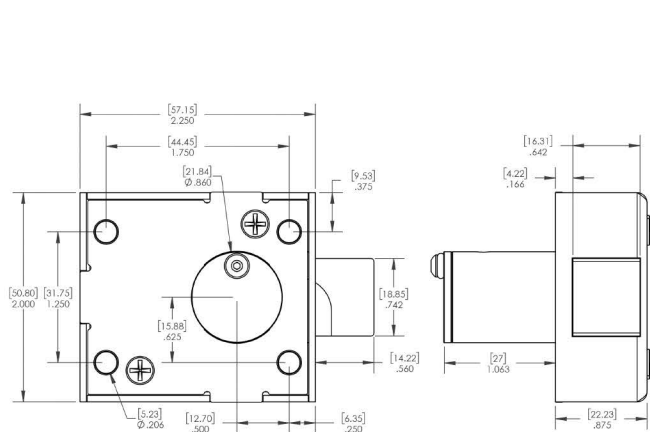
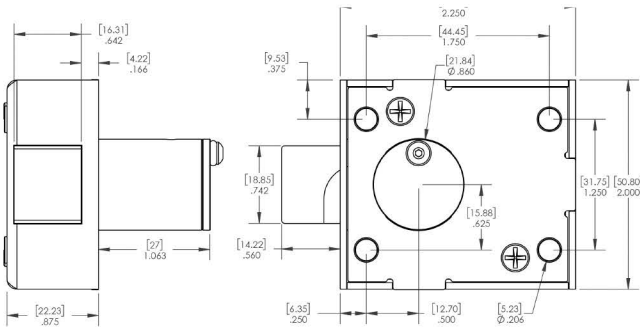
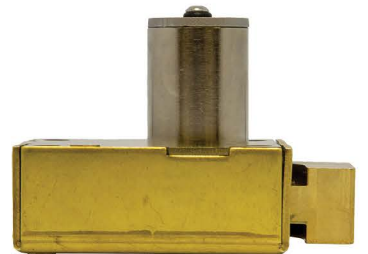
Specifications

Physical	Brass enclosure with nickel-plated brass and stainless steel cylinder
Operating Temperature	-40° to 165° F (-40° to 74° C)
Weight	11 oz (312 g)
Power	None, power supplied by key
Compatible Keys	Gen 1 Mode: All CyberKeys including Bluetooth and Wi-Fi CyberKeys. Gen 2 Mode: All Gen 2 CyberKeys including Bluetooth and Wi-Fi CyberKeys
Audit Capacity	Rechargeable or replaceable battery CyberKey options available Gen 1 Mode: Up to 1,100 open/lock events Gen 2 Mode: Up to 6,544 open/lock events
Hardware Features	No keyway to pick, attack-resistant torque break
Electronic Rekeying	Rekeying a system is done via the software; no need to install new locks and issue new keys
NEMA TS 2-2021	Compliant

RIGHT HAND CL2-TC2R



LEFT HAND CL2-TC2L



RIGHT HAND CL2-TC2R

Notes:
Dimensions in inches (mm)
Drawing not to scale
Ø indicates diameter

LEFT HAND CL2-TC2L