

NFC Padlock

The CyberLock NFC padlock offers convenient keyless access control with the reliability and precision required by critical infrastructure and high-security industries.

NFCR-PL02



Advanced Keyless Security

Near Field Communication (NFC) and CMAC AES-256 challenge-response authentication ensures the security of critical assets, providing protection against unauthorized access attempts.



Real-Time Control

Administrators can issue on-demand credentials to contractors, employees, and authorized visitors through CyberLock's powerful software suite, CyberAudit-Web. When changes occur, users can rapidly update their permissions using the Cyber Access app to enable access to the lock.



Robust Design

With weather-resistant, IP-68 rated durability, the NFC padlock can withstand water, dust, and dirt, ensuring reliable performance even in the most challenging environments.

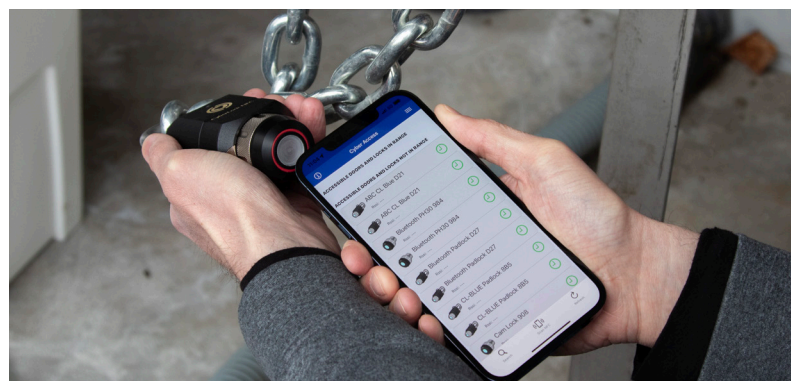


Flexible Access Options

Optimize user efficiency with multiple credential options. Send keyless credentials to Android and iOS devices through the Cyber Access app. Alternatively, issue physical credentials such as an IR fob or compatible CyberKey for added flexibility.



The field replaceable EL123 lithium battery ensures continued functionality with a lifespan of up to 5 years.



CyberLock NFC Padlock, 2" Shackle

Part Number: NFCR-PL02

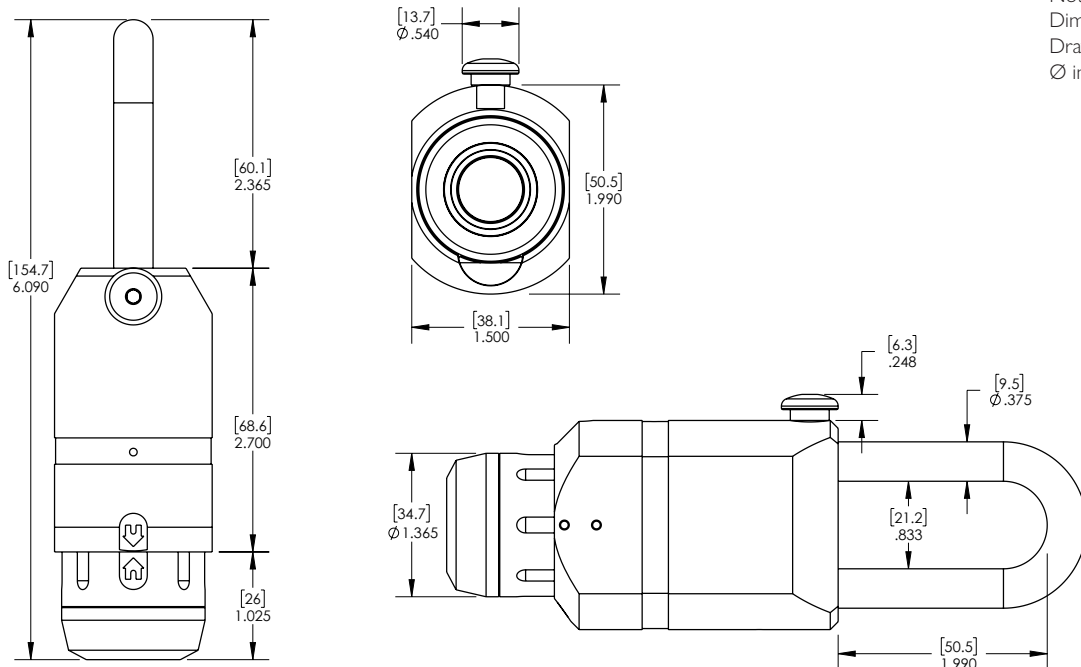


CAW	Version 9.9 or newer
Enterprise	<input checked="" type="checkbox"/>
Basic	<input type="checkbox"/>

The CyberLock NFC (Near Field Communication) padlock is a keyless lock that facilitates access control using an NFC-enabled device.

Specifications

- Physical** Brass, stainless steel, and polycarbonate
- Operating Temperature** -4° to 140° F (-20° to 60° C) below 14° F (-10° C) battery capacity is significantly reduced
- Weight** 34.7 oz (984 g)
- Dimensions** 6.09" L x 2.24" W x 1.5" H (154.7 mm x 56.9 mm x 38.1 mm)
- Communication** Infrared, NFC
- Visual Output** Multicolor LED indicator light
- Power** EL123 lithium battery, field replaceable
- Access Options** Cyber Access app on Android or iOS, CK-FLASH, CK-AIR2, CKR-BLUE3, FK-01 IR Fob
- Programming and Download Options** CyberLink 2 on PC or CyberAudit Link Android via CKBR-IR10 IR Encoder 10
- Software** CyberAudit® Enterprise 9.9 (or newer)
- Battery Life** Up to 5 years
- Audit Capacity** Up to 6,460 open/lock events
- RoHS** Compliant with EU 2015/863
- IP Rating** IP68



Notes:
 Dimensions in inches (mm)
 Drawing not to scale
 Ø indicates diameter