

FlashReader Keypad

Flex II FlashReader Keypad is a multi-credential input device for the CyberLock Flex II hardwired access control system.



Bluetooth 5.0

Automatically unlock doors when users present valid Bluetooth credentials within 8 feet of the keypad. Distance is configurable with signal strength and sensitivity.



Secured Convenience

The FlashReader Keypad supports 5 different credential types: RFID cards, access numbers, CyberLock's keyless Flash technology, IR via fob or CyberKey, and Bluetooth 5.0 via the Cyber Access app.



Cost-Effective

The variety of locking devices supported within the Flex II system provides affordable access control to facilities ranging from low and medium-security, such as schools and churches, to high-security facilities including airports and data centers.



- Grant one-time access to employees or contractors through text or email, without the physical credentials of an RFID card.
- The FlashReader Keypad introduces multiple audible and visual indicators for simple user feedback.



Flex II FlashReader Keypad

Part Number: FSR-FRK01

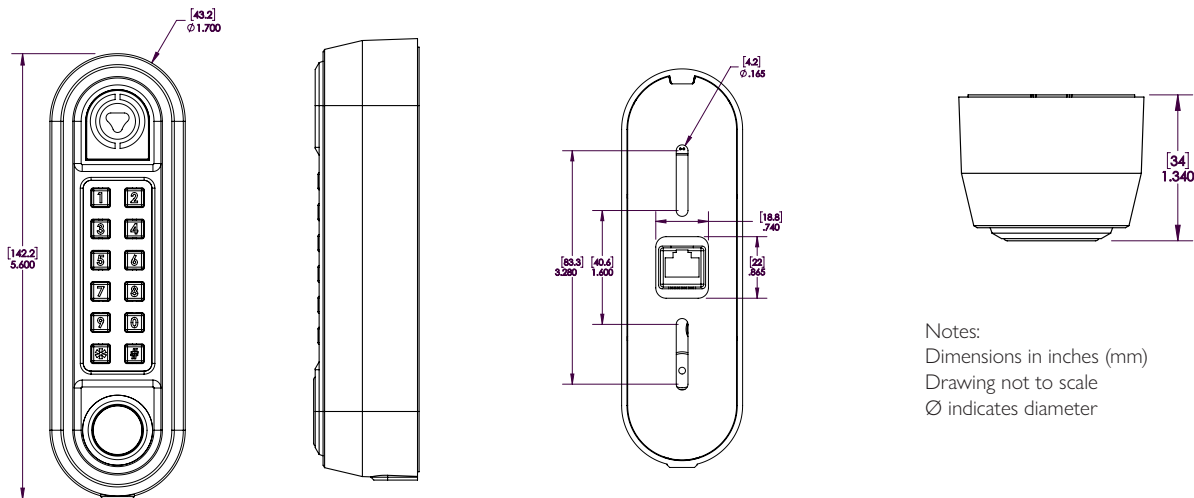
CAW	Version 9.5 or newer
Enterprise	<input checked="" type="checkbox"/>
Basic	<input type="checkbox"/>

The Flex II FlashReader Keypad is an input device for the CyberLock Flex System II hardwired access control system. It connects to a Flex II Controller or Door Expander to open an electric door strike or weatherized key vault. Users can gain access by carrying credentials such as an RFID card, a cellphone using CyberLock's Flash technology, access number, IR via fob or CyberKey, or Bluetooth 5.0 via the Cyber Access app.



Specifications

Physical	Fiberglass Reinforced Nylon
Operating Temperature	-40° to 140° F (-40° to 60° C)
Dimensions	5.6" L x 1.7" W x 1.34" D (142 mm x 43 mm x 34 mm)
Weight	4.8 oz (136 g)
Humidity	0 to 100%
Power	Via RS485, CAT 5 patch cable from Flex II Controller or Door Expander
Mounting	Flush mount to a surface or single gang box using included mounting bracket, 2X #6 screws recommended
Connections	RJ45
Credentials	Smartphone enabled Flash technology, RFID Cards type A and 15693 formats, access number, IR via fob or CyberKey, and Bluetooth 5.0
Keypad	Antimicrobial buttons
Visual Indicator	Multicolored LED indicator light
Audio Indicator	Beeper
Ingress Protection	IP55
RoHS	Compliant with EU 2015/863
Bluetooth Security	HMAC-SHA-256 challenge/response authentication
IR Security	HMAC-SHA-256 challenge/response authentication for CyberKeys, BLAKE2s-128 challenge/response authentication for fobs



Notes:
 Dimensions in inches (mm)
 Drawing not to scale
 Ø indicates diameter