

# FlashBox™

Gain access in a flash with a simple text or email!  
FlashBox can be opened with virtually any smart phone without the use of an app.

FL-BOX-01S



## Indicators

FlashBox uses multi-colored LED lights & beepers as communication indicators.



## Ultimate Convenience

Grant short term, long term, and scheduled access by sending a link via email or text\*. All the recipient needs is a smart phone or other web-enabled device.



## High Security

FlashBox includes patented serial optical communication technology giving you secure access through your phone.

- Conveniently adjust access permissions anytime.
- FlashBox provides secure storage for keys, access cards, and more!
- FlashBox is available in a padlock configuration, wall mounted, or over-door mounted options.



# FlashBox™

Part Number: FL-BOX-01S, Doorknob Mount Shackle

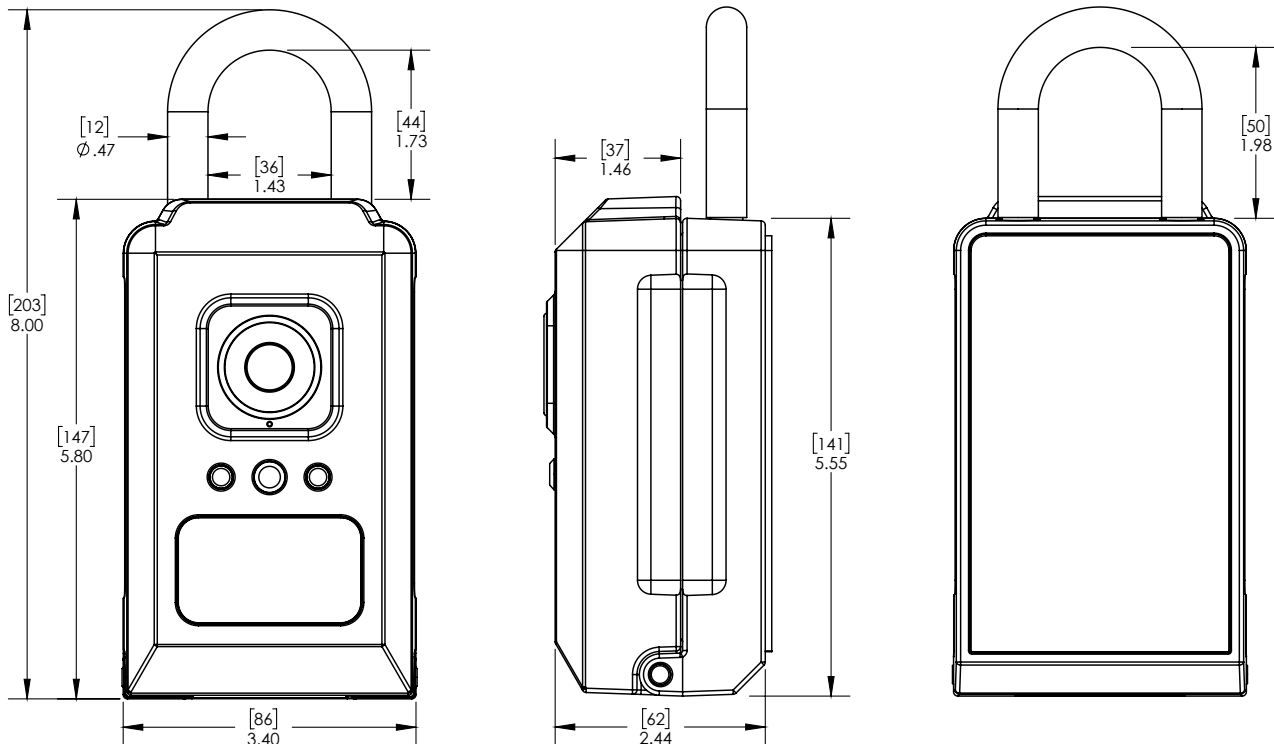
CAW	Version 9.0 (or newer)
Enterprise	<input checked="" type="checkbox"/>
Basic	<input type="checkbox"/>



FlashBox is a keyless lockbox that facilitates access control using a web-enabled device.

### Specifications

<b>Physical</b>	Powder-coated aluminum box with rubber-coated stainless steel shackle
<b>Operating Temperatures</b>	-4° to 140° F, -20° to 60° C Below 14° F, (-10° C) battery capacity significantly reduced*
<b>Dimensions</b>	8" L x 3.4" W x 2.44" H (203 mm x 86 mm x 62 mm)
<b>Weight</b>	55 oz (1550 g)
<b>Power</b>	4AA batteries, field replaceable (supplied with Alkaline, Lithium recommended for cold weather)
<b>Visual Indicators</b>	3 multicolored LED indicator lights
<b>Audio Indicator</b>	Beeper
<b>Access Option</b>	Serial optical with web device, IR with fob, Encoder 10, CK-FLASH, CK-AIR2, CKR-BLUE3
<b>Management Option</b>	Encoder 10 (CKBR-IR10), Bluetooth mobile device (iOS requires CyberAudit® Enterprise)
<b>Software</b>	CyberAudit® Enterprise 9.0 (or newer) with FlashLock SEM, or myflashlock.com
<b>Battery Life</b>	Alkaline: up to 1 year; Lithium: over 1 year



Notes:  
 Dimensions in inches (mm)  
 Drawing not to scale  
 Ø indicates diameter

\*Lithium batteries suggested if FlashBox is frequently exposed to cold temperatures