

FlashBox™

Gain access in a flash with a simple text or email!
FlashBox can be opened with virtually any smart phone without the use of an app.



Indicators

FlashBox uses multi-colored LED lights & beepers as communication indicators.



Ultimate Convenience

Grant short term, long term, and scheduled access by sending a link via email or text*. All the recipient needs is a smart phone or other web-enabled device.



High Security

FlashBox includes patented serial optical communication technology giving you secure access through your phone.



- Conveniently adjust access permissions anytime.
- FlashBox provides secure storage for keys, access cards, and more!
- FlashBox is available in a padlock configuration, wall mounted, or over-door mounted options.



FlashBox™

Part Number: FL-BOX-01, Wall Mount

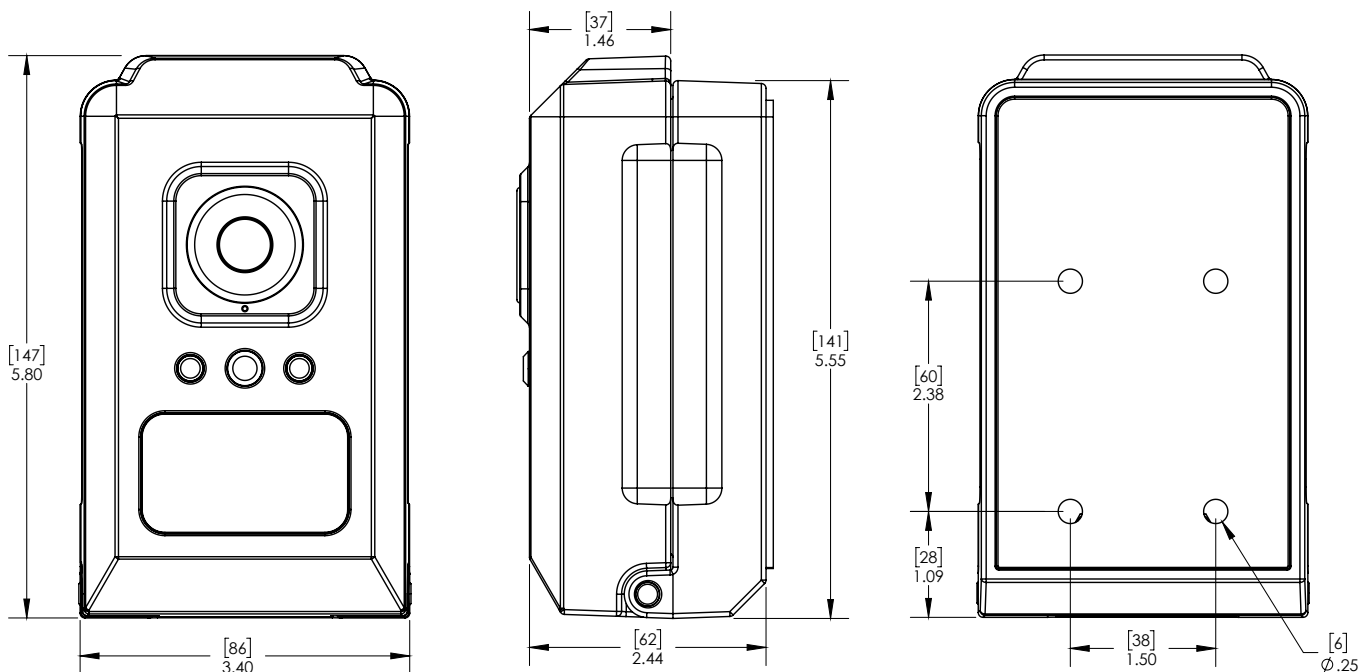
CAW	Version 9.0 (or newer)
Enterprise	<input checked="" type="checkbox"/>
Basic	<input type="checkbox"/>

FlashBox is a keyless lockbox that facilitates access control using a web-enabled device.



Specifications

Physical	Powder-coated aluminum box
Operating Temperatures	-4° to 140° F, -20° to 60° C Below 14° F, (-10° C) battery capacity significantly reduced*
Dimensions	5.8" L x 3.4" W x 2.44" H (147 mm x 86 mm x 62 mm)
Weight	48 oz (1350 g)
Power	4AA batteries, field replaceable (supplied with Alkaline, Lithium recommended for cold weather)
Visual Indicators	3 multicolored LED indicator lights
Audio Indicator	Beeper
Access Option	Serial optical with web device, IR with fob, Encoder 10, CK-FLASH, CK-AIR2, CKR-BLUE3
Management Option	Encoder 10 (CKBR-IR10), Bluetooth mobile device (iOS requires CyberAudit® Enterprise)
Software	CyberAudit® Enterprise 9.0 (or newer) with FlashLock SEM, or myflashlock.com
Battery Life	Alkaline: up to 1 year; Lithium: over 1 year



Notes:
 Dimensions in inches (mm)
 Drawing not to scale
 Ø indicates diameter

*Lithium batteries suggested if FlashBox is frequently exposed to cold temperatures