

CyberKey X

Exchangeable Battery CyberKey X with Infrared Technology and 2MB Flash Memory



Extended Memory

CyberKey X comes with 2MB of flash memory. When the battery dies the audit trail stays protected.



Ultimate Convenience

Easily replace the battery on-the-go. No need to worry about how much charge is left in the key.

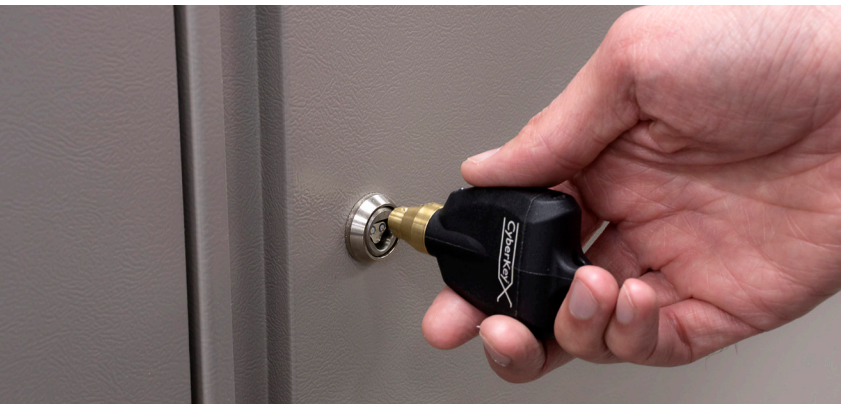


Greater Flexibility

Individually manage fully customizable permission schedules and record access attempts and audit trails.



- Replaceable 3 Volt Lithium CR2 Battery
- 2MB Flash Memory Stores: Up to 12,000 Lock List or Up to 12,000 Audit Events or Up to 100 Lock Downloads
- IR Communications for Use with the IR Encoder 10



CyberKey X - Replaceable Battery, Infrared

Part Number: CK-X, CKR-X

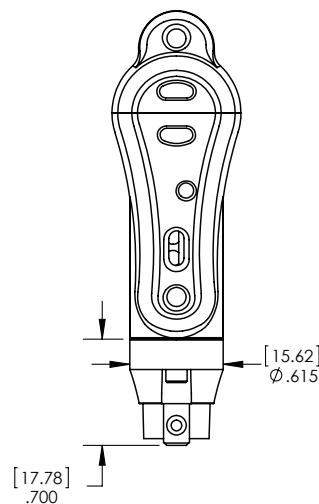
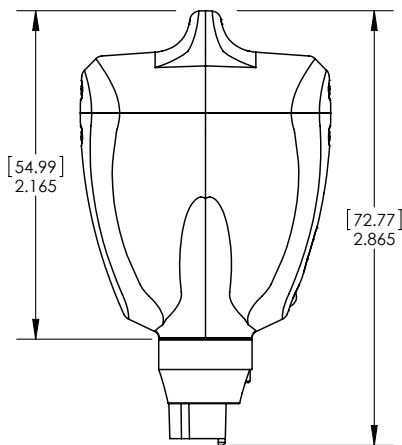
CAW	Version 9.0 or newer
Enterprise	<input checked="" type="checkbox"/>
Basic	<input checked="" type="checkbox"/>

The CyberKey X is an electronic key used to operate CyberLock cylinders. It has memory that contains encrypted access codes, a list of locks it may access, schedules of authorized dates and times it may access locks, and a begin-end date range during which the key will operate. The battery from a CyberKey energizes the electronics within a CyberLock cylinder.



Specifications

Physical	Fiberglass reinforced nylon, replaceable brass tip
Operating Temperature	32° to 122° F (0° to 50° C)
Weight	1.5 oz (43.1 g)
Visual Output	Green indicator light
Sound Output	Embedded speaker
Power	3V lithium CR2 battery, field replaceable
Memory	2 MB for up to 12,000 audit trail events and up to 12,000 locks with Lock List expansion SEM
Compatibility	Encoder 10, USB Station, Web Authorizer, and all Gen 2 communicators
RoHS	Compliant (CKR-X only)



Notes:
 Dimensions in inches (mm)
 Drawing not to scale
 Ø indicates diameter

