

CyberKey Air 2

Wi-Fi connectivity enables immediate and precise control over who has access to entry points and at what time.



In-the-Field Updates

Update access schedules, lock permissions and download audits trails as they happen when connected to an authorized Wi-Fi network.



Customizable Menu

A three-button, customizable display allows users to navigate access modes, view key events, expirations, and battery status.



Convenience

Works in conjunction with CyberLock and FlashLock access points.



- Memory contains encrypted access codes and records up to 12,000 audit trail events.
- Rechargeable battery.



CyberKey® Air 2 Rechargeable Battery, Wi-Fi, Infrared

Part Number: CK-AIR2

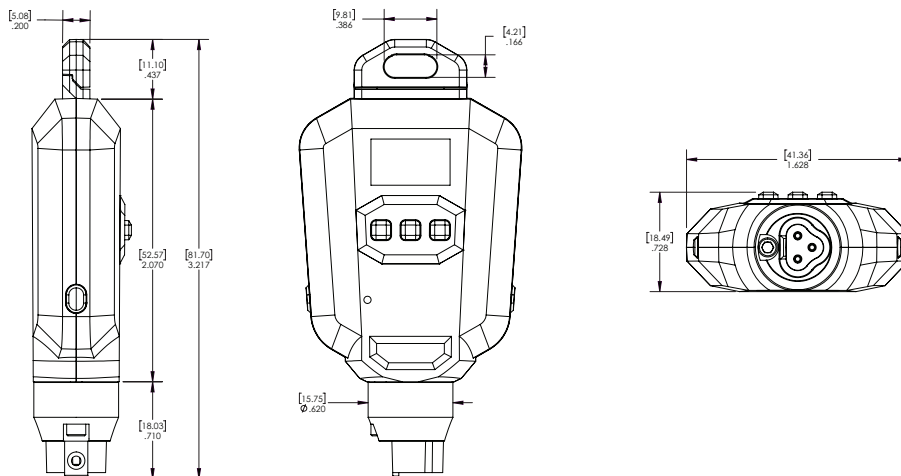


CAW	Version 9.0 or newer
Enterprise	<input checked="" type="checkbox"/>
Basic	<input type="checkbox"/>

The CyberKey Air 2 is an electronic key used to operate CyberLock cylinders and FlashLock access points. It has memory that contains encrypted access codes, a list of locks it may access, schedules of authorized dates and times it may access locks, and a begin-end date range during which the key will operate. The battery from a CyberKey energizes the electronics within a CyberLock cylinder. The Wi-Fi capabilities of this key enable wireless updating of schedules, permissions, and access events when the key is connected to an authorized Wi-Fi network.

Specifications

Physical	Polycarbonate case, replaceable brass tip
Operating Temperature	32° to 122° F (0° to 50° C)
Weight	1.5 oz (43g)
Power	Rechargeable lithium ion polymer
Visual Indicators	Red and blue LED indicator lights
Audio Indicator	Embedded speaker
Memory	4 MB for up to 12,000 audit trail records and access to 12,000 locks
Compatible Communicators	Generation 2 communicators such as the ValidiKey 2 Plus vault and station, USB Station with CyberLink 2, Encoder 10, and CyberKey Web Authorizer Hub 2
Recharging	Via the key tip
Communication	Infrared, Wi-Fi 802.11 b/g/n 2.4 GHz
Remote Updates	Update the key using a trusted Wi-Fi connection
Access Control Compatibility	CyberLocks, FlashLocks, and CyberLock Blue via IR
User Input	Three-button operation used to check key status and change key mode
Display	OLED, 0.670" (17 mm), 64x32 resolution
Security	WPA2 with passcode
Certificate	Supports SHA2 with 2048 bit public key with RSA Encryption and TLS 1.2 protocol
Year Introduced	2018



Notes:
 Dimensions in inches (mm)
 Drawing not to scale
 Ø indicates diameter