

CyberLock Blue Mortise

CyberLock Blue cylinders deliver keyless access control with reliability and precision using a Bluetooth enabled device.



Advanced Keyless Security

Bluetooth® 5.0 technology and CMAC-AES256 challenge-response authentication protects important assets against unauthorized access attempts.



Real-Time Control

Issue on-demand, mobile credentials to contractors, employees, and authorized visitors using the Cyber Access app. Quickly modify a user's temporary or scheduled access from anywhere with an Internet connection.



Flexible Access Options

Select from three different credential types to maximize the efficiency of each user. Send keyless credentials from Android and iOS devices via the Cyber Access app, or issue physical credentials like a FlashLock infrared fob or compatible smart key, such as the CyberKey® Blue 3, Air 2, or Flash.



- CyberLock Blue cylinders have a battery life of up to 2 years, depending on usage.
- EL123 lithium battery can easily be replaced in the field.
- Shake knob briefly to wake lock from low-power mode and enable Bluetooth.



CyberLock Blue Mortise 1 1/4"

Part Number: BLR-M4

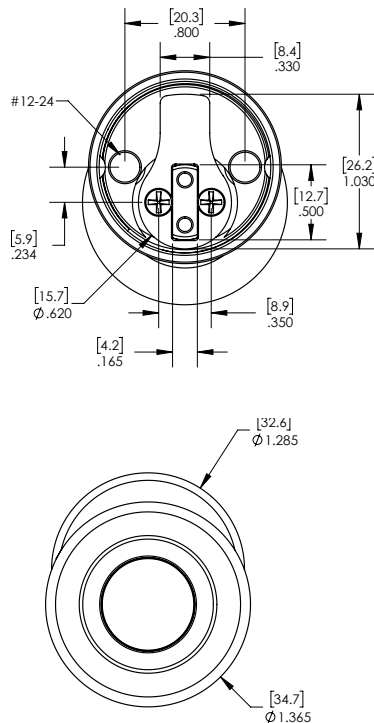
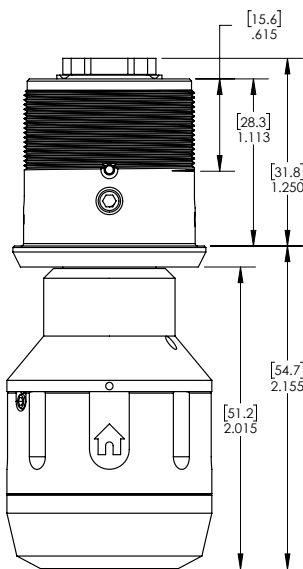
CAW	Version 9.6 or newer
Enterprise	<input checked="" type="checkbox"/>
Basic	<input type="checkbox"/>

CyberLock Blue is a keyless lock that facilitates access control using a Bluetooth enabled device. Fits exact same form factor for 1 1/4" mortise cylinder.



Specifications

Physical	Brass, stainless steel, and polycarbonate
Operating Temperature	-4° to 140° F (-20° to 60° C), below 14° F (-10° C) battery capacity is significantly reduced
Weight	10.04 oz (295 g)
Dimensions	1.29" dia x 3.41" L (32.8 mm x 86.6 mm)
Communication	Infrared, Bluetooth 5.0
Visual Output	Multicolor LED indicator light
Audio Output	Multi-tone beeper
Power	EL123 lithium battery, field replaceable
Access Options	Cyber Access app on Android or iOS, CK-FLASH, CK-AIR2, CKR-BLUE3, FK-01 IR Fob
Programming and Download Options	Cyberlink 2 on PC or CyberAudit Link app
Software	CyberAudit® Enterprise 9.6 (or newer)
Battery Life	Up to 2 years
Audit Capacity	Up to 6,460 events
RoHS	Compliant with EU 2015/863
IP Rating	IP55



Notes:
 Dimensions in inches (mm)
 Drawing not to scale
 Ø indicates diameter

