

# ValidiKey Ring

Designed for the ValidiKey vault line, the ValidiKey Ring allows users to control mechanical keys alongside CyberKey smart keys.

CKVR-KR01



## Simple to Use

When an approved access number and/or RFID card is used to access the vault, the ValidiKey Ring lights up to inform the user which key to take.



## Real Time Security

Email notifications can be sent out to administrators when a ValidiKey Ring is not returned within a specified time frame.



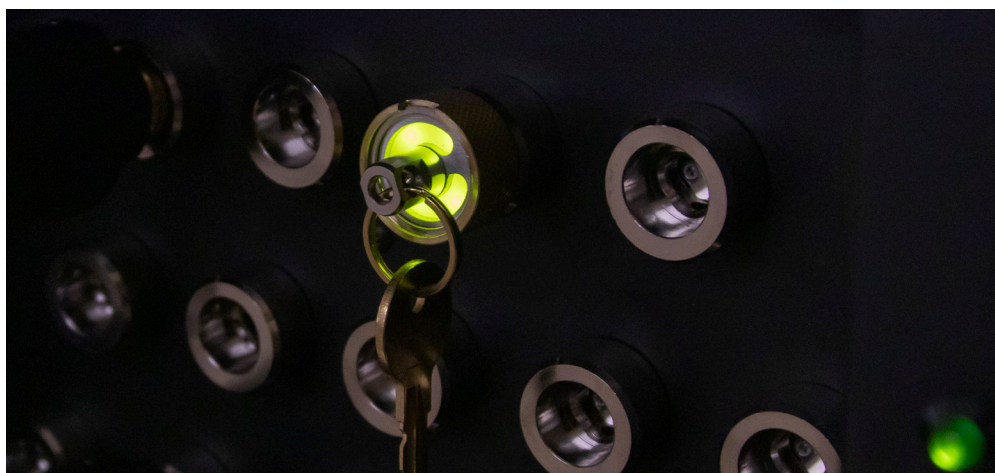
## Trackable Mechanical Keys

ValidiKey vaults track who checks out the mechanical keys attached to the ValidiKey Rings. An audit event is created when the key is removed and returned.



- ValidiKey Ring keyrings can be “grouped”, meaning copies of mechanical keys may each be attached to a different ValidiKey Ring. This allows multiple people to check out a ValidiKey Ring with a copy of that particular mechanical key.
- The ValidiKey Ring is compatible with the ValidiKey 2 Plus and ValidiKey 20 vault.

*ValidiKey Rings light up with green LEDs to show users which one they can access.*



## ValidiKey Ring

Part Number: CKVR-KR01

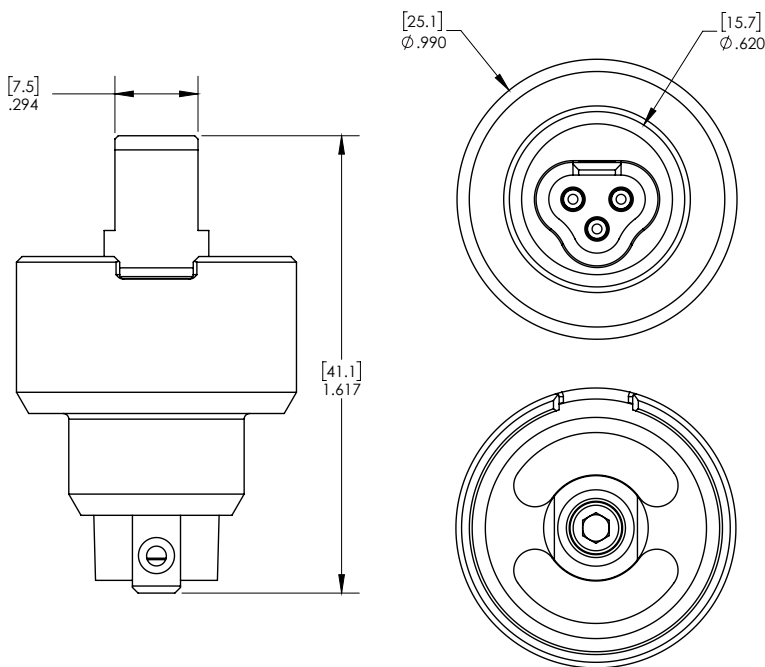
CAW	Version 9.5 or newer
Enterprise	<input checked="" type="checkbox"/>
Basic	<input type="checkbox"/>

The ValidiKey Ring is designed to allow CyberLock ValidiKey vaults to control mechanical keys alongside CyberKeys. Several mechanical keys can be attached to each ValidiKey Ring. To check out the ValidiKey Ring and its associated mechanical keys, a user presents credentials to the vault, such as an approved access number or RFID card. The vault then unlocks and the ValidiKey Ring lights up to inform the user which keyring to take. An audit event is created when the ValidiKey Ring is removed and when it is returned, tracking who took the key. A reminder may be triggered if the ValidiKey Ring is not returned within a specified time.



### Specifications

<b>Physical</b>	Brass tip, stainless steel keyring
<b>Operating Temperature</b>	32° to 122° F (0° to 50° C)
<b>Weight</b>	1.31 oz (37 g)
<b>Dimensions</b>	1.6" x 1.0" (41 mm x 25 mm)
<b>Communication</b>	Via keytip
<b>Power</b>	Via keytip
<b>Compatibility</b>	ValidiKey Plus vault and ValidiKey 20 vault
<b>Indicators</b>	Green LEDs
<b>RoHS</b>	Compliant with EU 2015/863



Notes:  
 Dimensions in inches (mm)  
 Drawing not to scale  
 Ø indicates diameter

