

CyberKey Flash

Bluetooth 4.2 connectivity enables immediate and precise control over who has access to entry points and at what time.



Ultimate Capabilities

Works in conjunction with CyberLock, FlashLock, and RFID systems in CyberAudit-Web Enterprise software.



In-the-Field Updates

Update access schedules, lock permissions and download audits trails with a Bluetooth-enabled smart phone.

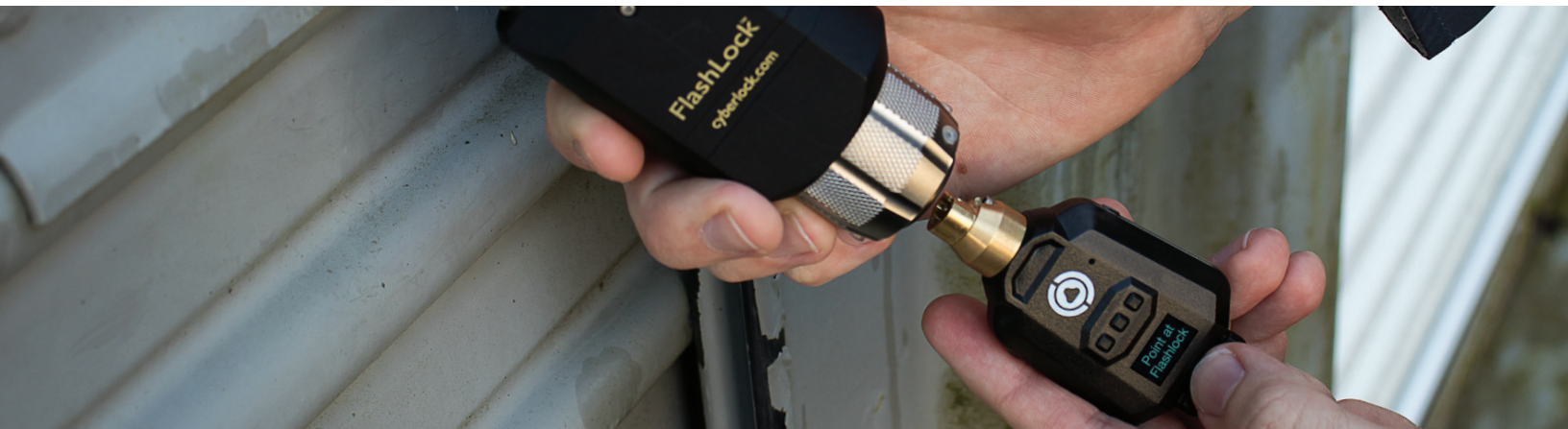


Customizable Menu

A three-button, customizable display allows users to navigate access modes, view key events, expirations, and battery status.



- Android and iOS compatible communicators
- Memory contains encrypted access codes and records up to 12,000 audit trail events
- Rechargeable battery



CyberKey Flash® Rechargeable Battery, Bluetooth, RFID, IR

Part Number: CK-FLASH

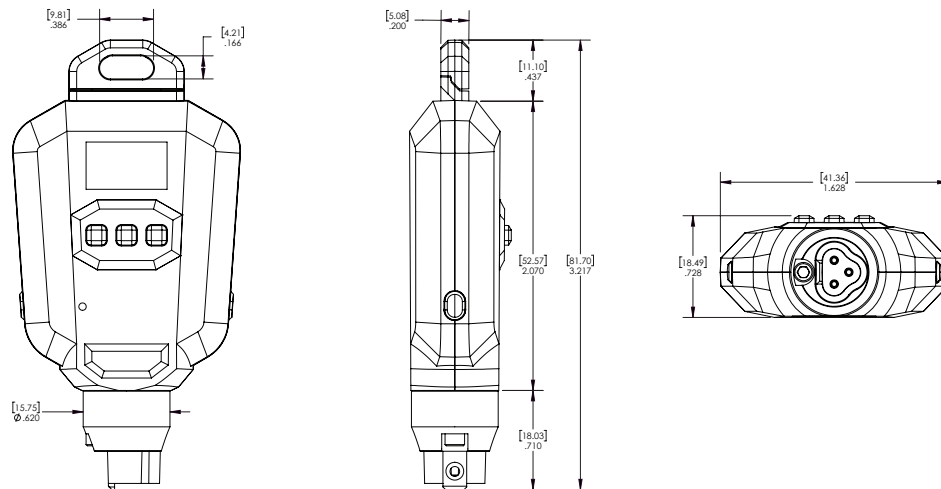
CAW	Version 9.0 or newer
Enterprise	<input checked="" type="checkbox"/>
Basic	<input type="checkbox"/>

The CyberKey Flash is an electronic key that can access CyberLock, FlashLock, and CyberLock Flex access points. A three-button, customizable display allows users to navigate access modes and view events, expirations, and battery status. Update access schedules and lock permissions in the field via a Bluetooth-enabled smartphone.



Specifications

Physical	Polycarbonate case, replaceable brass tip
Operating Temperature	32° to 122° F (0° to 50° C)
Weight	1.4 oz (40 g)
Dimensions	3.22" L x 0.65" W x 1.63" H (81.8 mm x 16.5 mm x 41.4 mm)
Power	Rechargeable lithium ion polymer
Visual Indicators	Red and blue LED indicator lights
Audio Indicators	Embedded speaker
Memory	4 MB for up to 12,000 audit trail records and access to 12,000 locks
Compatible Communicators	Generation 2 communicators such as the ValidiKey 2 Plus vault and station, USB station with CyberLink 2, Encoder 10, and CyberKey Web Authorizer Hub 2
Recharging	Via the key tip
Communication	Classic or Bluetooth Low Energy 4.2, IR, 13.56 MHz RFID
Remote Updates	Update the key using the mobile app anywhere there is Internet access
Activation or Deactivation	Via the mobile app with or without Internet access
Access Control Compatibility	CyberLocks, RFID, Flashlocks, and CyberLock Blue via IR
User Input	Three-button operation used to check key status and change key mode
Display	OLED, 0.670" (17 mm), 64x32 resolution



Notes:
 Dimensions in inches (mm)
 Drawing not to scale
 Ø indicates diameter