

CyberLock Blue Key Tube

Part Number: BLR-KT1

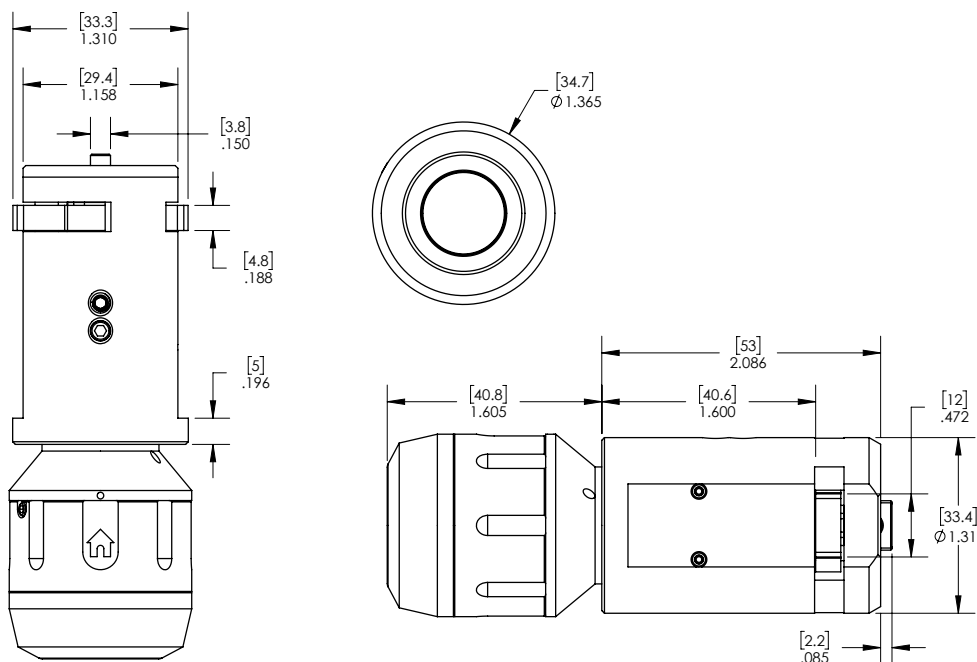
CAW	Version 9.6 or newer
Enterprise	<input checked="" type="checkbox"/>
Basic	<input type="checkbox"/>



CyberLock Blue is a keyless lock that facilitates access control using a Bluetooth enabled device. Fits common key deposit tubes.

Specifications

Physical	Brass, stainless steel, and polycarbonate
Operating Temperature	-4° to 140° F (-20° to 60° C), below 14° F (-10° C) battery capacity is significantly reduced
Weight	14.82 oz (420 g)
Dimensions	1.37" dia x 3.776" L (34.8 mm x 95.9 mm)
Communication	Infrared, Bluetooth 5.0
Visual Output	Multicolor LED indicator light
Audio Output	Multi-tone beeper
Power	EL123 lithium battery, field replaceable
Access Options	Cyber Access app on Android or iOS, CK-FLASH, CK-AIR2, CKR-BLUE3, FK-01 IR Fob
Programming and Download Options	Cyberlink 2 on PC or CyberAudit Link app
Software	CyberAudit® Enterprise 9.6 (or newer)
Battery Life	Up to 2 years
Audit Capacity	Up to 6,460 events
RoHS	Compliant with EU 2015/863
IP Rating	IP55



Notes:
 Dimensions in inches (mm)
 Drawing not to scale
 Φ indicates diameter