

ValidiKey 2 Plus

Multifaceted access control device designed to fit small to medium security footprints.

CKV-V02-PLUS



Increase Key Control

Reduces distribution and management of untraceable mechanical keys.



Wiegand RFID Reader Option

Customization with an optional 26-bit Wiegand device allows users to integrate existing cards to issue CyberKey smart keys.

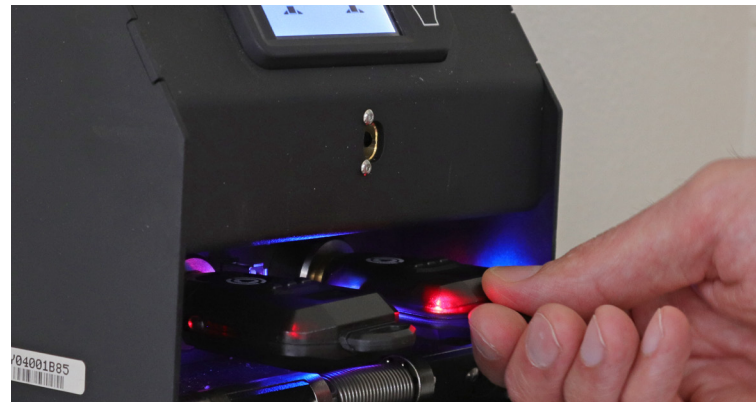


Durable

Aircraft-grade aluminum case designed to withstand high-traffic facilities.



- Securely stores up to 2 CyberKeys in an unprogrammed state until a user presents their access number and/or RFID card.
- Upon validation, programs an available key with personalized permissions.
- Following return of the key, administrators can immediately view a detailed audit trail.



ValidiKey™ 2 Plus

Part Number: CKV-V02-PLUS

CAW	Version 9.2 or newer
Enterprise	<input checked="" type="checkbox"/>
Basic	<input checked="" type="checkbox"/>

The ValidiKey 2 Plus is a two-key vault that stores, secures, and programs up to two CyberKey smart keys. Simply input an access number and/or scan an RFID card. The vault will program a key based on the credentials presented and the vault door will unlock. It is also scalable, which means multiple vaults can communicate within a larger CyberAudit® Enterprise system. For higher security, a PIN can be required.



Standard

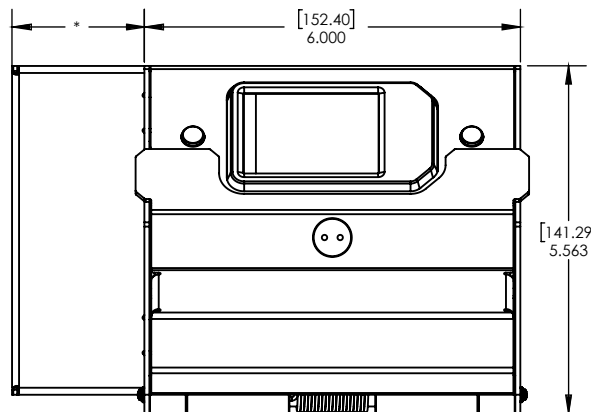


Wiegand RFID

Specifications

Physical	Black powder-coated aluminum case, mounts to a wall, latch tested to 1200 lbs
Operating Temperature	32° to 122° F (0° to 50° C) non-condensing indoor or sheltered installations only
Weight	35.84 oz (1,016 g)
Dimensions	6.0" L x 5.6" W x 4.0" H (152 mm x 131 mm x 101 mm)
Power	Input at 12V @ 1 amp, 110/220VAC, US power adapter provided, other country cords available
Audio Indicator	Multi-tone beeper indicates startup, door open, door left open, door closed, wrong key removed, invalid key inserted
Memory	4 GB storage for settings, key configurations, and audit trail storage
Connection	Ethernet via RJ45
Software	Operates as a communicator in CyberAudit Enterprise 9.2 (or newer)
Compatible Keys	CK-RXD, CK-RXD2, and all rechargeable Generation 2 keys
User Panel	LCD touch screen displays status and responds to input from button presses. Users may enter PINs and other information in response to display prompts.
Compatible RFID Cards	Reads the unique ID from unencrypted 13.56 MHz, ISO 14443 Type A & B and ISO 15693 format cards (i.e. I-Code, Mifare, Legic)
Wiegand RFID Reader	Contact CyberLock Sales for more information

Notes:
 Dimensions in inches (mm)
 Drawing not to scale
 Ø indicates diameter



*OPTIONAL WIEGAND RFID READER MOUNTING EXTENSION CUSTOMIZED TO SIZE

