

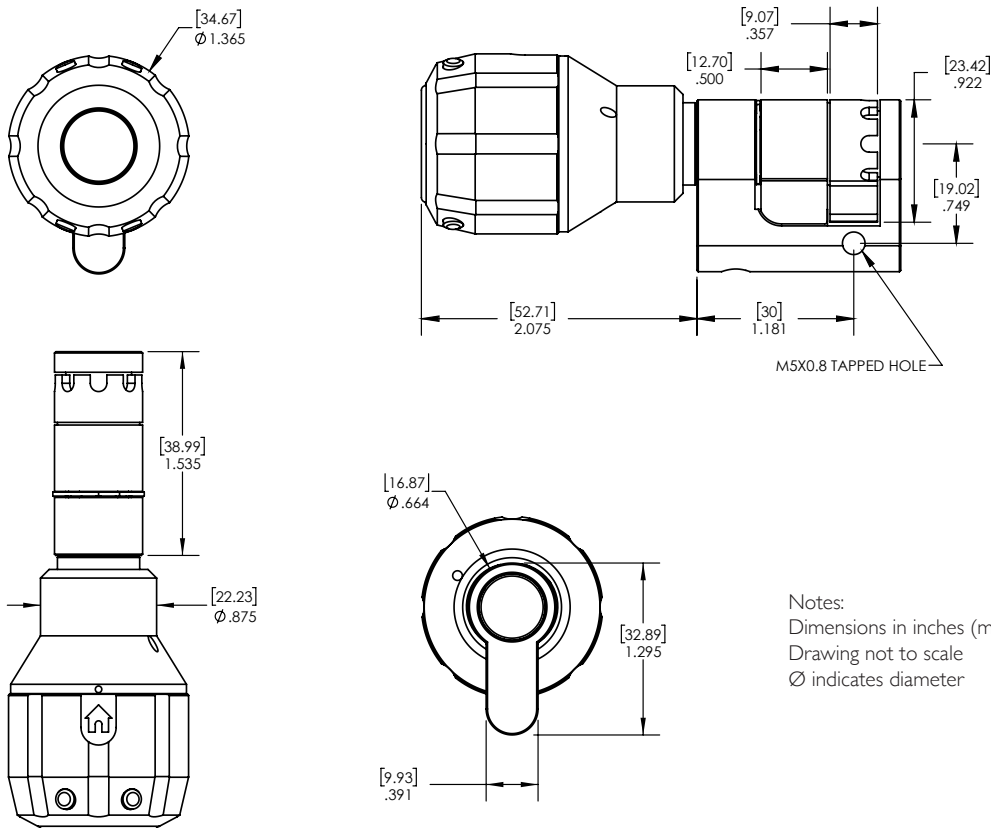
FlashLock®

Part Number: FL-PH30

FlashLock is a keyless lock that facilitates real-time access control using a web-enabled device.

Specifications

Physical	Nickel plated brass
Operating Temperatures	-4° to 140° F, -20° to 60° C below 14° F (-10° C) battery capacity is significantly reduced
Dimensions	3.61" L x 1.64" H (92 mm x 42 mm)
Weight	9 oz (255 g)
Power	EL123 lithium battery, field replaceable
Visual Indicators	Red and green LED indicator lights
Audio Indicator	Beeper
Access Options	Serial optical with web device, IR with fob, CK-FLASH, CK-AIR2, CK-BLUE3
Management Options	Encoder 10
Software	CyberAudit®-Web Enterprise 9.0 (or newer) with FlashLock SEM, or myflashlock.com
Battery Life	Up to 1 year
Audit Capacity	Up to 11,000 open/lock events



Notes:
 Dimensions in inches (mm)
 Drawing not to scale
 \varnothing indicates diameter