

Flex System Keypad Display Module

Part Number: FS-KD01

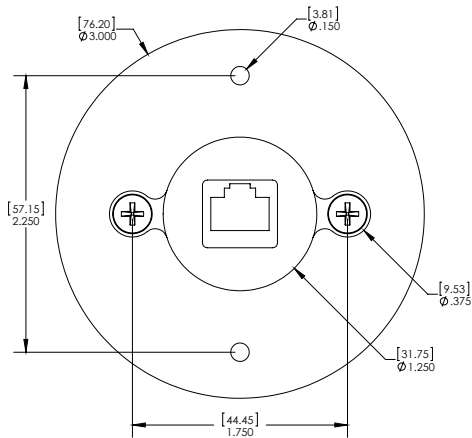
CAW	Version 7.2 or newer
Enterprise	<input checked="" type="checkbox"/>
Basic	<input checked="" type="checkbox"/>

The Keypad Display Module is a simple user interface for entering credentials. An integrated display provides feedback, instructions, and warnings. Required items: Flex System Hub and an output module (vault, door, or Keypoint).



Specifications

Physical	Anodized aluminum
Operating Temperature	14° to 140° F (-10° to 60° C)
Weight	9.5 oz (269.3 g)
Dimensions	1.24" L x 2.95" D (31.5 mm x 75 mm)
Humidity	0 to 100%
Power	Via RS485, CAT 5 patch cable from a Flex System Hub
Connection	RJ45
Visual Output	96 x 64 pixel display



Notes:
 Dimensions in inches (mm)
 Drawing not to scale
 Ø indicates diameter

