

CyberKey Web Authorizer Hub 2

Part Number: AHG2-WI, AHG2R-WI

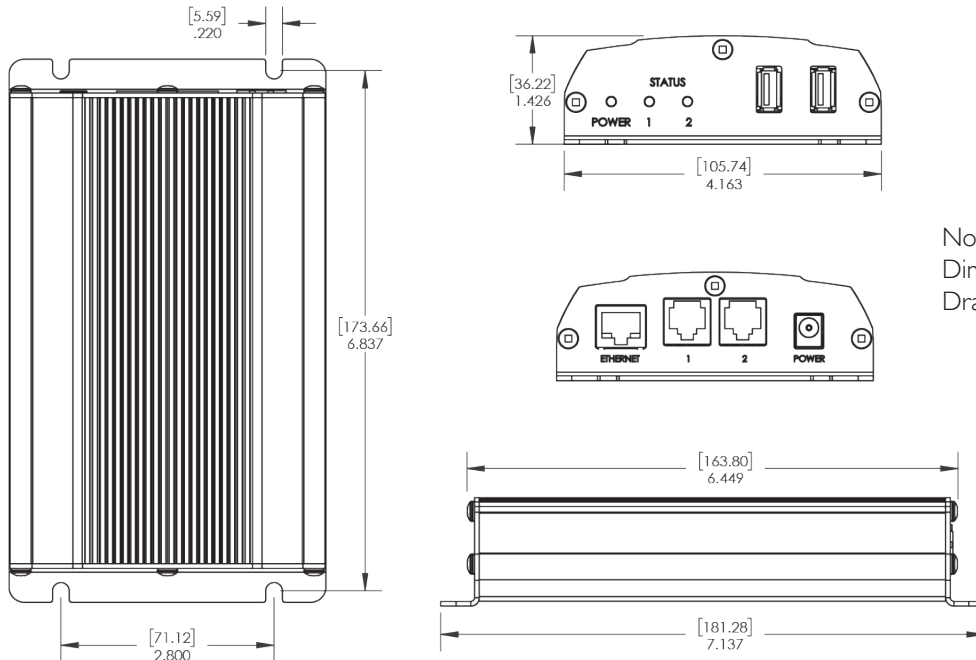
CAW	Version 8.0	Version 9.2 (or newer)
Enterprise	<input type="checkbox"/>	<input checked="" type="checkbox"/>
Basic	<input type="checkbox"/>	<input checked="" type="checkbox"/>



The CyberKey Web Authorizer Hub 2 is the 2nd generation Authorizer Hub. It has all the features of the original Authorizer Hub and also includes significant increases in speed and memory, compatibility with Generation 2 CyberKeys, and enhanced network encryption.

Specifications

Physical	Black powder-coated extruded aluminum
Operating Temperatures	32° to 122° F (0° to 50° C), indoor installation
Dimensions	1.42" H x 4.16" W x 7.12" L (36 mm x 105.7 mm x 180.8 mm)
Weight	13.9 oz (395 g)
Power	1 VDC, 1A; AHG2(R)-WI has a 120V, 60Hz transformer
Visual Outputs	Power and 2 Status LED, Ethernet
Memory	4 GB
Connection	RJ-45 for 100baseT Ethernet; 2 RJ-45 keyports; keyports connect to hub using CAT 5 patch cable, 2 USB for flash drives used to configure the Web Authorizer 2
Compatible Keys	Current Gen 1 and all Gen 2 keys
Network Encryption	TLS1.2 or better
Year Introduced	2019
RoHS	AHG2R-WI Compliant



Notes:
Dimensions in inches (mm)
Drawing not to scale

CyberKey Web Authorizer Hub 2

Part Number: AHG2-W2, AHG2R-W2

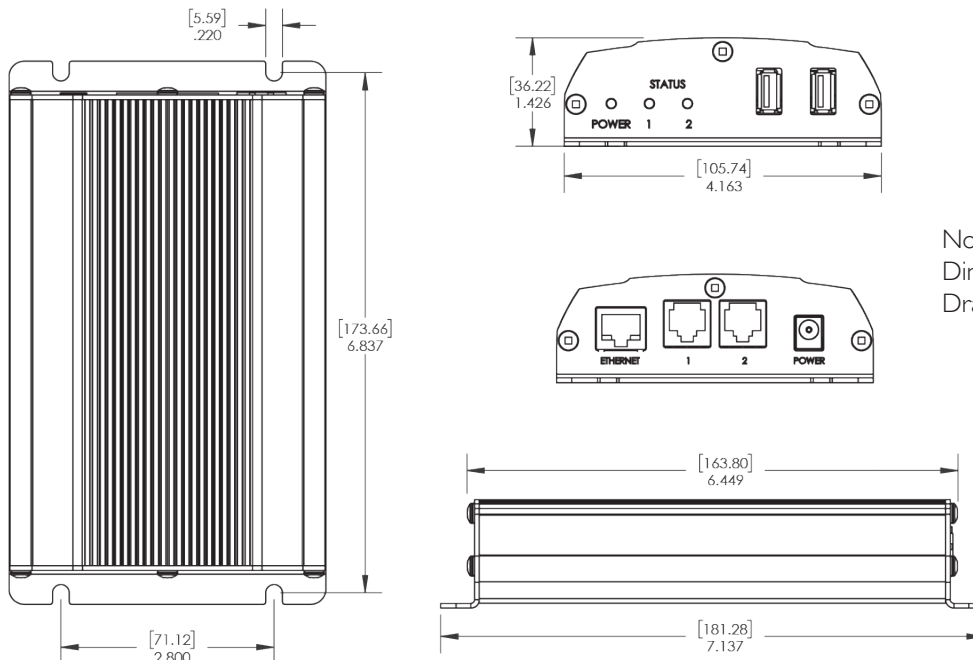
CAW	Version 8.0	Version 9.2 (or newer)
Enterprise	<input type="checkbox"/>	<input checked="" type="checkbox"/>
Basic	<input type="checkbox"/>	<input checked="" type="checkbox"/>



The CyberKey Web Authorizer Hub 2 is the 2nd generation Authorizer Hub. It has all the features of the original Authorizer Hub and also includes significant increases in speed and memory, compatibility with Generation 2 CyberKeys, and enhanced network encryption.

Specifications

Physical	Black powder-coated extruded aluminum
Operating Temperatures	32° to 122° F (0° to 50° C), indoor installation
Dimensions	1.42" H x 4.16" W x 7.12" L (36 mm x 105.7 mm x 180.8 mm)
Weight	13.9 oz (395 g)
Power	12VDC, 1A; AHG2(R)-W2 has a 220V, 50Hz transformer
Visual Outputs	Power and 2 Status LED, Ethernet
Memory	4 GB
Connection	RJ-45 for 100baseT Ethernet; 2 RJ-45 keyports; keyports connect to hub using CAT 5 patch cable, 2 USB for flash drives used to configure the Web Authorizer 2
Compatible Keys	Current Gen 1 and all Gen 2 keys
Network Encryption	TLS1.2 or better
Year Introduced	2019
RoHS	AHG2R-W2 Compliant



Notes:
Dimensions in inches (mm)
Drawing not to scale