



THE VALIDIKEY™ 2 PLUS

DESIGNED AND DEVELOPED TO MEET THE SECURITY NEEDS OF SMALL, MEDIUM, AND LARGE SCALE FACILITIES.



- » Affordable
- » Customizable
- » Scalable
- » Auditable
- » Optional Stand-Alone Server
- » Secure CyberKey Storage



Keypad Display

LCD Touchscreen Displays Status and Accepts PIN Input



Wiegand RFID Reader Option

Contact CyberLock for More Information



Connections

Ethernet Via RJ45 and Wireless Radio for WLAN

The ValidiKey 2 Plus gives users the option to have CyberLock Inc. custom-mount most existing Wiegand RFID readers onto the vault, allowing for integration in an existing security system.



VALIDIKEY 2 Plus

Part Number: CKV-V02-PLUS

The ValidiKey 2 Plus is a two-key vault that stores, secures, and programs up to two CyberKey smart keys. Simply input a PIN and/or scan an RFID card. The vault will program a key based on the credentials presented and the vault door will unlock. The ValidiKey 2 Plus can function as a stand-alone system if purchased with a stand-alone software license. It is also scalable, which means multiple vaults can communicate within a larger CyberAudit Enterprise system.

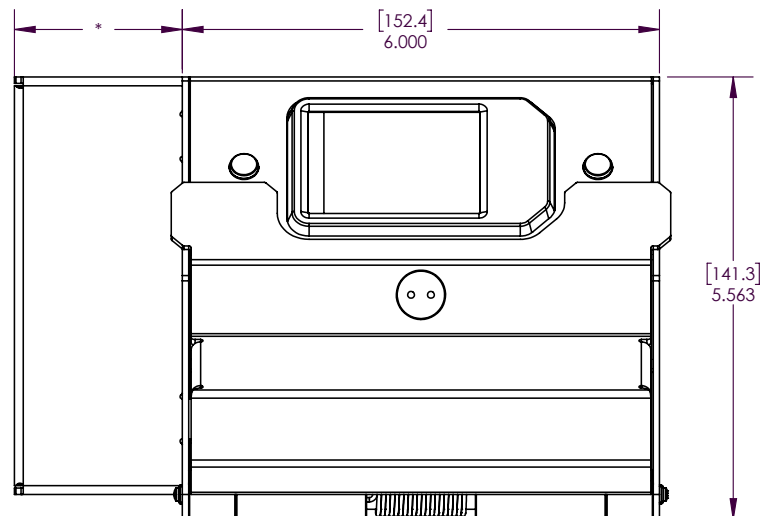
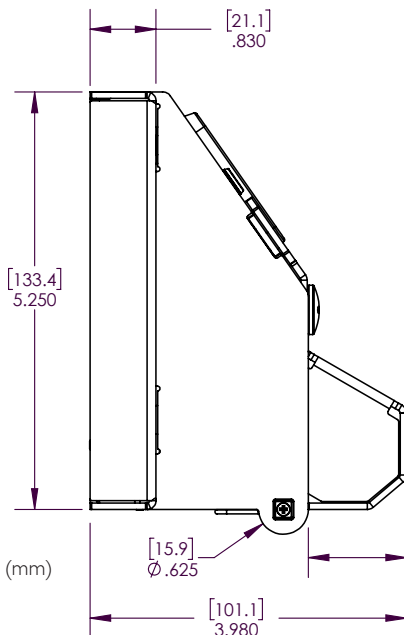
Specifications

Enclosure	Black powder-coated aluminum case, mounts to a wall, latch tested to 1200 lbs
Operating Temperatures	32°F to 122°F; 0° to 50°C, non-condensing indoor or sheltered installations only
Weight	2.24 lb, 1.02 kg.
Connections	Ethernet via RJ45 and wireless radio for WLAN
Power	Input at 12V @ 1 amp, 110/220VAC, US power adaptor provided, other country cords available
Keypad Display	LCD touch screen displays status and responds to input from button presses Users may enter PINs and other information in response to display prompts
Sound	Multi-tone beeper indicates startup, door open, door left open, door closed, wrong key removed, invalid key inserted
Memory	1GB RAM and 4GB storage for settings, key configurations, and audit trail storage
Compatible RFID Cards	Reads the unique ID from unencrypted 13.56 MHz, ISO 14443 Type A & B and ISO 15693 format cards (i.e. I-Code, Mifare, Legic)
Software	Option 1: Operates as a stand-alone system for managing up to 2 CyberKeys and up to 100 CyberLocks and 100 RFID card holders Option 2: Operates as a communicator in a CyberAudit® Enterprise version 9.0 system
Wiegand RFID Reader	Contact CyberLock Sales for more information

Standard



Wiegand RFID



*OPTIONAL WIEGAND RFID READER MOUNTING EXTENSION CUSTOMIZED TO SIZE

Notes:
Dimensions in inches (mm)
Drawing not to scale
Ø indicates diameter