



# FLASHLOCK<sup>®</sup> PADLOCK

Email or Text a Key for Access in a Flash



- » No Bluetooth<sup>®</sup> to Pair and No App to Download
- » FlashLock Padlock uses Serial Optical Communications Technology Combined with a Web Browser to Issue and Receive keys



**Communications**  
Infrared Key Fob Available



**IP68 Rating**  
0° C to 50° C | 32° F to 122° F  
Water Resistant



**Indicators**  
Audio and LED Lights

**FlashLock Padlock is IP68 Rated, Making it Ideal for Unpredictable Climates**

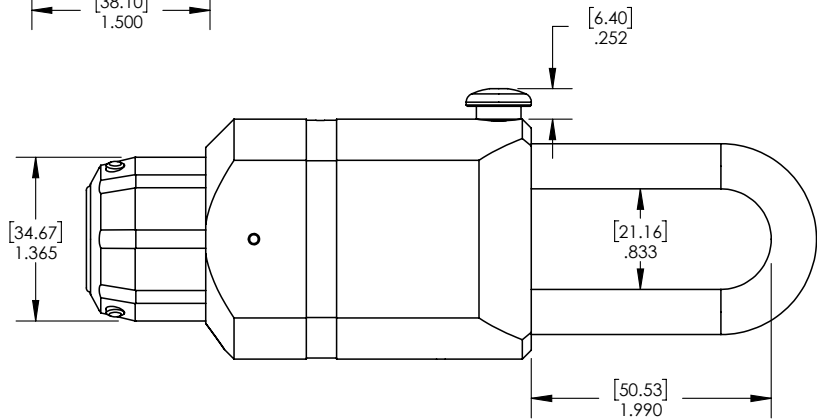
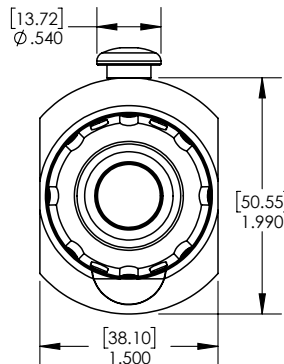
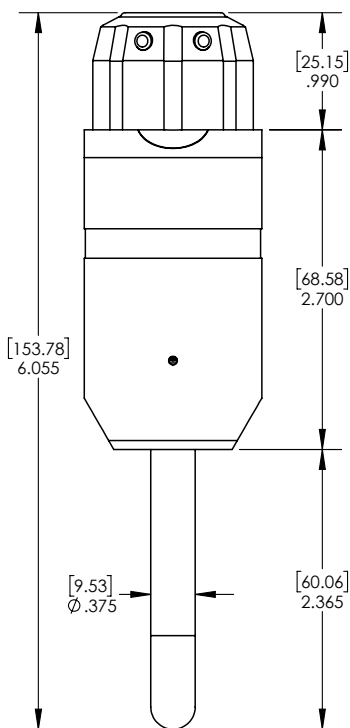
- » **Enclosure:** Brass and Stainless Steel
- » **Audit Capacity:** Up to 11,000 events



# FlashLock® Padlock, 2” Shackle Specifications

Part Number: FL-PL02

Enclosure	Brass and Stainless Steel
Communications	Serial Optical Communications Technology Infrared
Indicators	Four LEDs
Sounder	Beeper
Battery	ELI23
Battery Life	Up to 2 years
Audit Capacity	Up to 11,000 Events
Temperature	0°C to 50°C   32°F to 122°F
IP Rating	IP68



**Notes:**

Dimensions in inches (mm) | Drawing not to scale | Ø indicates diameter