



THE VALIDIKEY™ 2 VAULT

DESIGNED AND DEVELOPED TO MEET THE SECURITY NEEDS OF SMALL, MEDIUM, AND LARGE SCALE FACILITIES.



- » Affordable
- » Flexible
- » Scalable
- » Auditable
- » Stand-Alone Server
- » Secure CyberKey Storage



Keypad Display

LCD Touchscreen Responds to PIN Input and Display Status



Compatible RFID Cards

Reads the Unique ID from Unencrypted 13.56 MHz, ISO 14443 Type A & B & ISO 15693 Format Cards



Connections

Ethernet Via RJ45 and Wireless Radio for WLAN

The VALIDIKEY 2 Vault can function as a stand-alone system, or it can be scalable, meaning numerous vaults can communicate within a single CyberAudit® Enterprise system.

Access is granted with an RFID card or PIN, which is entered on an LCD touch display. The combination of a PIN and an RFID card ensures the highest security. The VALIDIKEY 2 Vault offers managers the ability to grant immediate access, giving users faster, more convenient control of their facilities than ever before.



VALIDIKEY 2 Vault

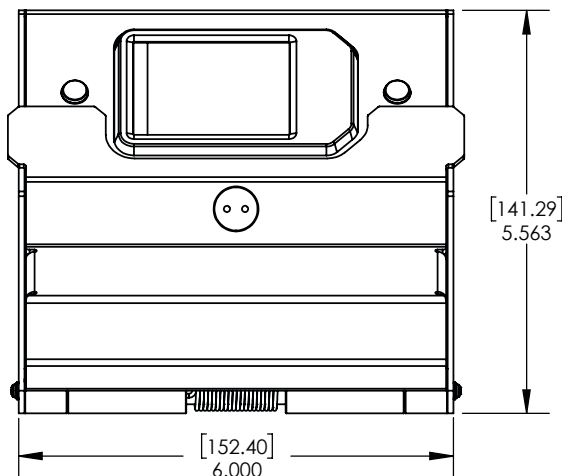
Part Number: CKV-V02

The **VALIDIKEY 2** Vault can hold and program up to two CyberKeys. The door on the vault opens only when an approved RFID card is scanned or a PIN number is entered on the display. After verifying the PIN or RFID card, the **VALIDIKEY 2** programs a CyberKey with that user's permissions, unlocks the door, and prompts the user to remove the key.



Specifications

Enclosure	Black powder-coated aluminum case, mounts to a wall, latch tested to 1200 lbs.
Operating Temperatures	32°F to 122°F; 0° to 50°C, non-condensing indoor or sheltered installations only.
Weight	2.24 lb, 1.02 kg.
Connections	Ethernet via RJ45 and wireless radio for WLAN.
Power	Input at 12V @ 1 amp, 110/220VAC, US power adaptor provided, other country cords available.
Keypad Display	LCD touch screen displays status and responds to input from button presses. Users may enter PINs and other information in response to display prompts.
Sound	Multi-tone beeper indicates startup, door open, door left open, door closed, wrong key removed, invalid key inserted.
Memory	2GB RAM and 6GB storage for settings, key configurations, and audit trail storage.
Compatible RFID Cards	Reads the unique ID from unencrypted 13.56 MHz, ISO 14443 Type A & B and ISO 15693 format cards (i.e. I-Code, Mifare, Legic).
Software	<p>Option 1: Operates as a stand-alone system for managing up to 2 CyberKeys and up to 100 CyberLocks and 100 RFID card holders.</p> <p>Option 2: Operates as a communicator in a CyberAudit®Enterprise version 8.0 system.</p>



Notes:

Dimensions in inches [mm]

Drawing not to scale

Ø indicates diameter

