



CYBERKEY BLUE 2

PERMISSIONS ON THE GO!

CyberKey Blue 2 with **Bluetooth[®] 4.2** Wireless Technology. Dual Mode Classic or Bluetooth Low Energy



Ultimate Convenience

Pairs with Smart Devices Running the CyberAudit[®] Link App



Greater Flexibility

Individually Manage Fully Customizable Permission Schedules



Control

Reports Audit Trails within Seconds for Accurate Record Keeping

- » **Delayed Activation for Remote Locations without Cellular Service.**
- » **Expanded Memory Contains Encrypted Access Codes & Records up to 12,000 Audit Trail Events.**
- » **Android and iOS Compatible.**



CyberKey Blue 2, Rechargeable Battery

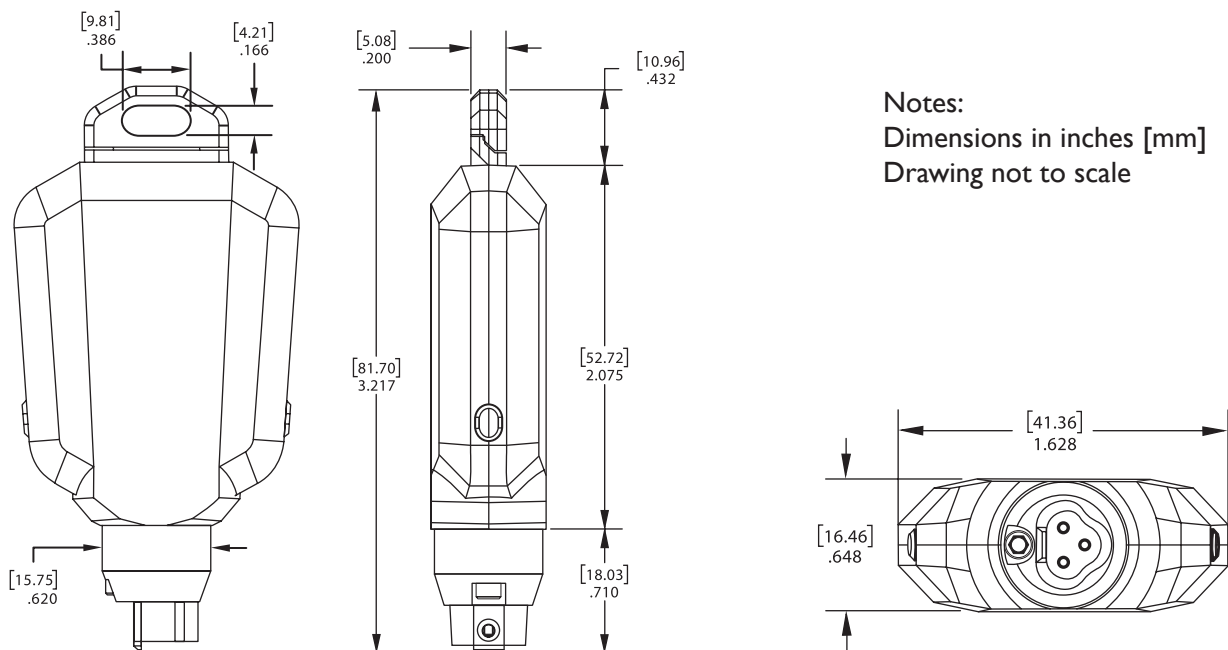
Part number: CK-BLUE 2

The CyberKey Blue 2 is an electronic key used to operate CyberLock cylinders. It has memory that contains encrypted access codes, a list of locks it may access, schedules of authorized dates and times it may access locks, and a begin-end date range during which the key will operate. The battery from a CyberKey energizes the electronics within a CyberLock cylinder.



Specifications

Blue 2	Bluetooth® 4.2
Dual Mode Operation	Classic or Bluetooth low energy
Updates	Update the key using the mobile app anywhere there is internet access
Activation or Deactivation	Use the mobile app with or without internet access
Physical	Fiberglass reinforced nylon, replaceable brass tip
Operating Temperatures	32° to 122° F, 0° to 50° C
Dimensions	3.22" L x 0.65" W x 1.63" H (81.8 mm x 16.5 mm x 41.4 mm)
Weight	1.34 oz (38 g)
Power	Rechargeable lithium ion polymer
Memory	4 MB for up to 12,000 audit trail records and access up to 12,000 locks
Recharging	Via the key tip
Visual Indicators	Red and blue LED indicator lights top and bottom, green LED indicator light in key tip
Audio Indicator	An embedded speaker
Communicator Link	Generation 2 communicators such as the VALIDIKEY 2 Vault and Station, USB Station with CyberLink 2



Notes:
 Dimensions in inches [mm]
 Drawing not to scale