

Flex System Hub

Part number: FS-SH01

Basic Enterprise



At the heart of the Flex System is the Flex System Hub, which fetches and stores CyberKey programming and door access permissions from CyberAudit software and controls the Flex System modules connected to it. Up to eight modules may connect to a single hub. Since the hub stores CyberKey programming and door access permissions, it can continue to issue and check-in CyberKeys and grant door access even during network outages that prevent a connection with CyberAudit software.

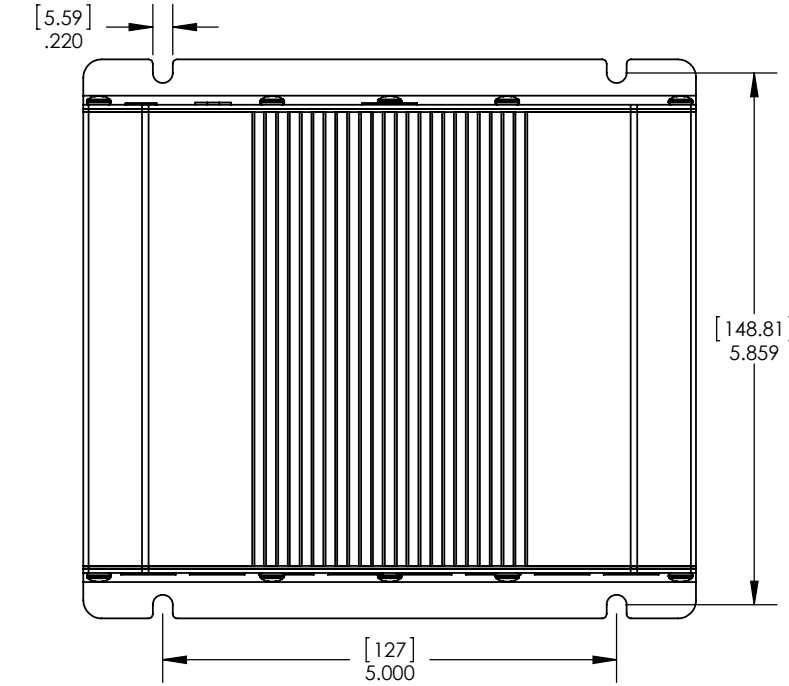
Specifications

Physical	Grey powder-coated extruded aluminum
Operating Temperatures	32° to 140° F, 0° to 60° C
Humidity	0 to 90% non-condensing
Dimensions	6.75"W x 6.16"L x 1.95"H (171.5 mm x 156.4 mm x 49.4 mm)
Weight	1.8 lbs (816 g)
Power	Input 100 - 240 V at 50 - 60 Hz; Output 12 V
Backup Battery	12 or 24-volt, charging is managed by the Hub
Connections	Ethernet, USB, Aux, Battery Backup, Power, 8 module ports
Indicator Lights	CAW, USB, Mod, Battery
Ports	Eight

LED	Flashing	Solid On
CAW	Attempting to connect	Connected
USB	Reading USB	Done
MOD	Reflects periodic communication	N/A
BAT	Charging circuit on	Connected and charged

Flex System Hub

Part number: FS-SH01



Notes:
Dimensions in inches (mm)
Drawing not to scale

