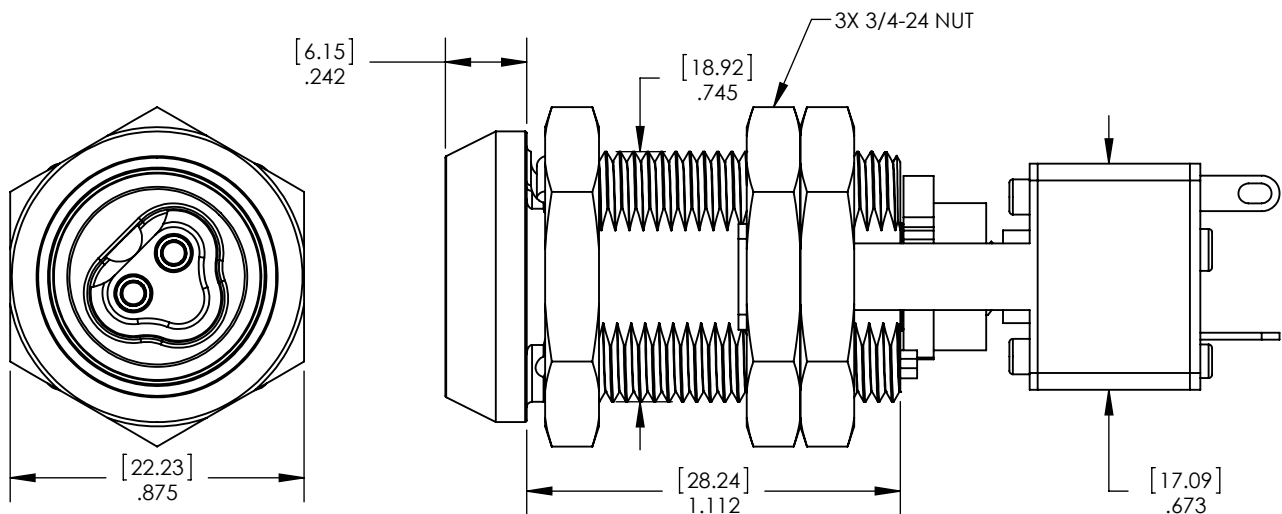
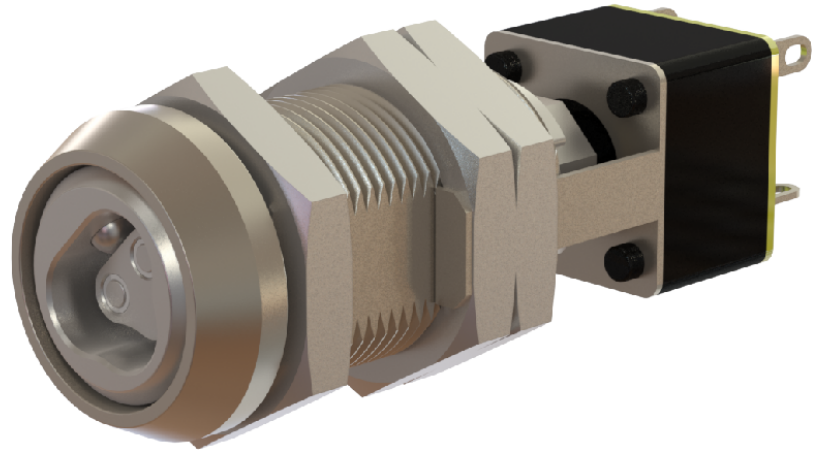
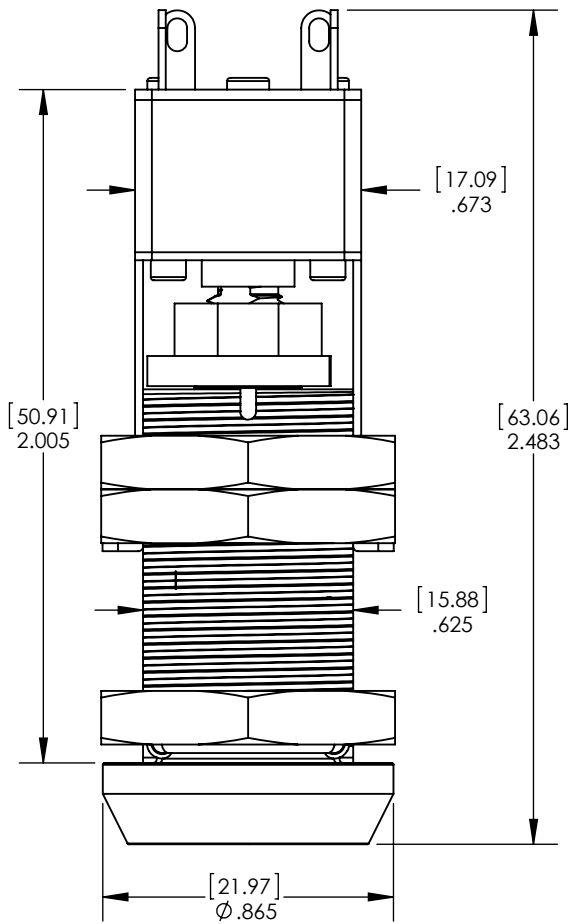


1amp Max. @ 30V AC or DC (inductive or resistive load)



PART NUMBER	
CL-S02	
	1105 NE CIRCLE BLVD CORVALLIS OR 97330 (541) 738-5500
Proprietary Information of Videx Unlawful to copy, reproduce, or disclose to others by any means without express written consent.	

DESCRIPTION
 SWITCH LOCK, .75" CAM-STYLE, ON/OFF

PDF CREATED
 3/21/2012

REV
 A