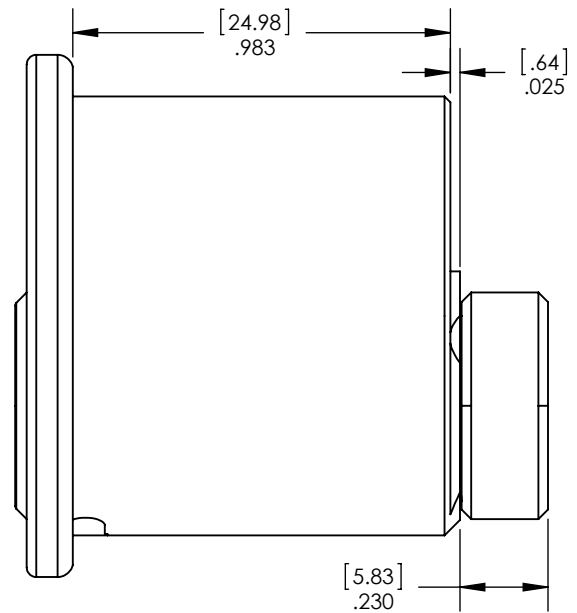
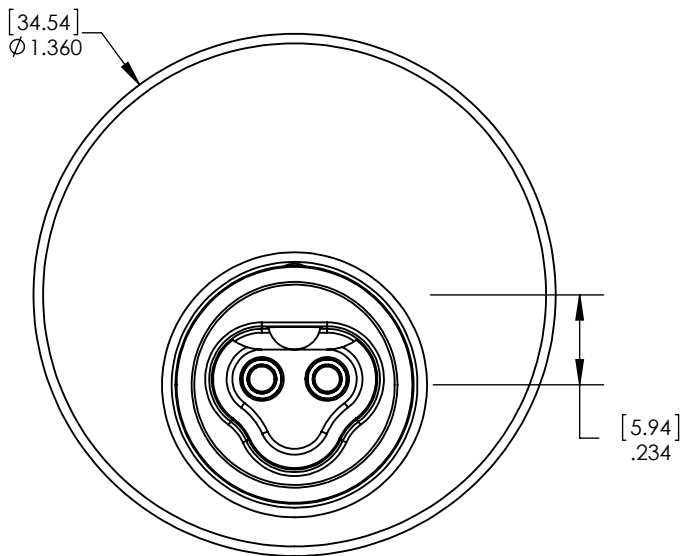
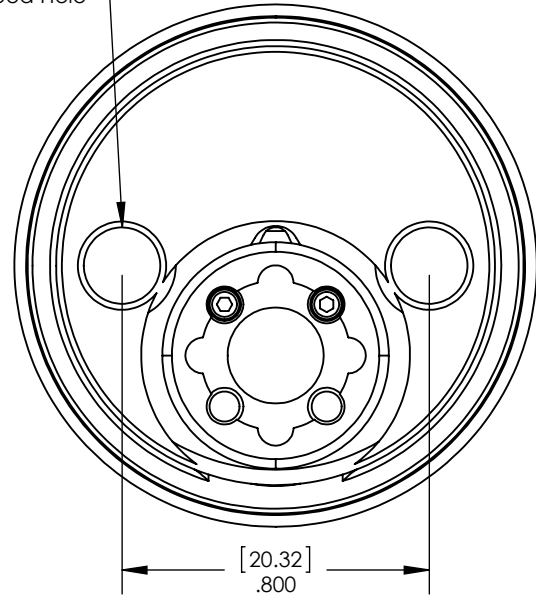


#12-24 X .750 Tapped Hole



PART NUMBER	CL-R1
 1105 NE CIRCLE BLVD CORVALLIS OR 97330 (541) 738-5500	Proprietary information of Videx. Unlawful to copy, reproduce, or disclose to others by any means without express written consent.

DESCRIPTION
RIM, U.S. STANDARD (MULTIPLE FINISH CHOICES)

PDF CREATED
12/30/2013

REV
B