

## CyberKey Recharging Station

Part numbers:

CKS-010 – 120 V, 60 Hz

CKS-F10 – 220 V, 50 Hz

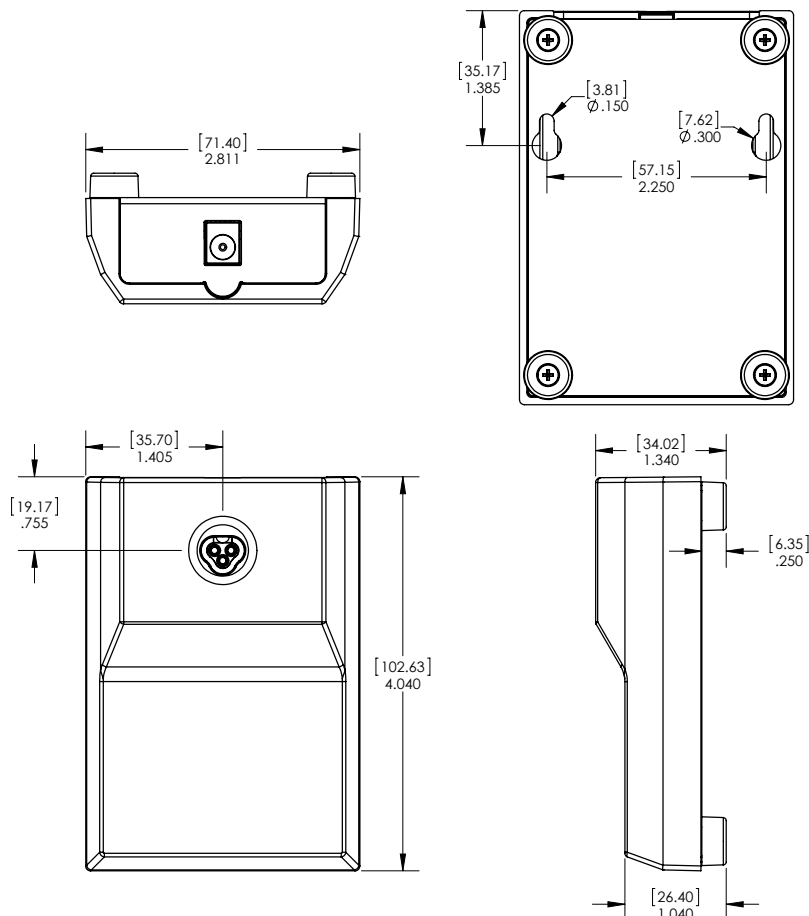
Pro  Enterprise

The CyberKey recharging station is designed to recharge the lithium-ion polymer battery in rechargeable CyberKey smart keys. The station is used for recharging only; it cannot be used for communication.



### Specifications

Physical	Black powder-coated zinc
Operating Temperatures	32° to 122° F, 0° to 50° C, indoor installation
Dimensions	1.34" H x 2.8" W x 4" L (34 mm x 71.4 mm x 102.6 mm)
Weight	9.8 oz (277.8 g)
Power	Input: 12VDC, 500 mA, CKS-010 has a 120 V, 60 Hz transformer, CKS-F10 has a 220 V, 50 Hz transformer
Visual Indicator	A single LED light indicates power
Compatible Keys	CK-RBT, CK-RCG, CK-RXD, CK-RXD2



Notes:  
Dimensions in inches (mm)  
Drawing not to scale