

## CyberKey, Grand Master

Part number: CK-GM

Pro     Enterprise

The Grand Master CyberKey is a key with multiple functionalities, dependent upon which software solution is in use.

### Professional Solution

A database may be based off either the Grand Master's code or manually entered codes.

The Grand Master will either program, download, and update locks or create emergency keys and open locks.

### Enterprise Solution

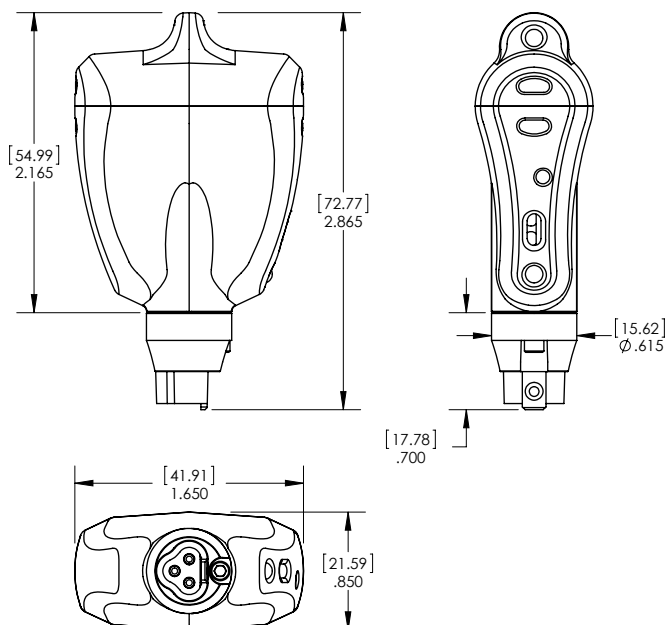
When used with the Enterprise solution, the Grand Master key can be configured to perform any combination of the following:

- Open locks
- Program new locks
- Update locks
- Download locks
- Create emergency keys



## Specifications

Physical	Fiberglass reinforced nylon, replaceable brass tip
Operating Temperatures	32° to 122° F, 0° to 50° C
Dimensions	2.87" H x 1.65" W x 0.85" D (72.8 mm x 41.9 mm x 21.6 mm)
Weight	1.5 oz (43.1 g)
Power	3 V lithium CR2 battery, field replaceable
Memory	Internal memory supports an audit trail of up to 3900 events
CyberAudit-Web Link	Via any compatible CyberLock Communicator
Communicator Link	Via the key tip and/or through the infrared port
Visual Indicators	One indicator light (battery level and key activation)
Audio Indicator	An embedded speaker (battery level, access, and communication)



Notes:  
Dimensions in inches (mm)  
Drawing not to scale