

CyberKey Air, Rechargeable Battery

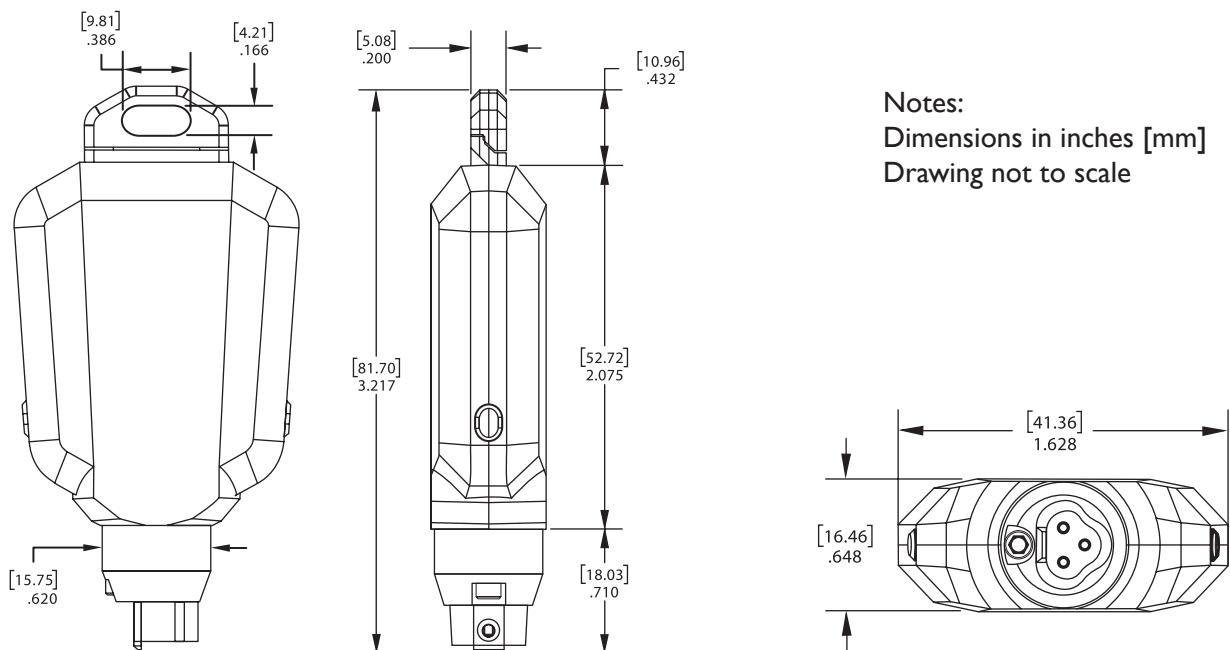
Part number: CK-AIR

The CyberKey Air is an electronic key used to operate CyberLock cylinders. It has memory that contains electronic access codes, a list of locks it may access, schedules of authorized dates and times it may access locks, and a begin-end date range during which the key will operate. The battery from a CyberKey energizes the electronics within a CyberLock cylinder.



Specifications

Updates	Update the key using a generation 2 communicator or anywhere with a Wi-Fi signal
Activation or Deactivation	Activate the CK-AIR with a wireless Internet connection
Physical	Fiberglass reinforced nylon, replaceable brass tip
Operating Temperatures	32° to 122° F, 0° to 50° C
Dimensions	3.22" L x 0.65" W x 1.63" H (81.8 mm x 16.5 mm x 41.4 mm)
Weight	1.34 oz (38 g)
Power	Rechargeable lithium ion polymer
Memory	4 MB for up to 12,000 audit trail records and access up to 12,000 locks
Recharging	Via the key tip
Visual Indicators	Red and blue LED indicator lights top and bottom, green LED indicator light in key tip
Audio Indicator	An embedded speaker
Communicator Link	Generation 2 communicators such as the USB Station with CyberLink 2, VALIDIKEY 2 vault and station
Wireless	802.11 b



Notes:
Dimensions in inches [mm]
Drawing not to scale